

# Kingtronics®

## YKT-002

### Hybrid Tantalum Capacitor



## FEATURES

- ◆ Tantalum case, Hermetically Sealed, Cylindrical, Radial-lead, Heteropolarity.
- ◆ Commingled by Electrolytic Tantalum Capacitor and Electrochemical Capacitor, Small size, Super Capacitance.
- ◆ Stable in Electrical Performances, High Reliability, Long life-span, Maximum in the Density of Capacitance and Energy, Nominal Capacitance is higher than YKT-001 series.
- ◆ Built-in as battery in Energy-conversed-circuit & Power-pulsed-circuit, functioned as filtering, storage energy, time-delay circuit.

## SPECIFICATIONS

Operating Temperature	-55°C to +125°C (to +125°C, with rated voltage derating)
Storage Temperature	-62°C ~ +130°C
Capacitance Tolerance	Q: (-10%~+30%), K: (±10%), M: (±20%)

## Electrical Characteristics

Rated Voltage (V)	Category Voltage (V)	Surge Voltage ( )	Cap. (μF)	tgδ (%)	ESR (Ω) 1kHz	DCL (μA)		Impedance at (Ω) 100Hz	Capacitance Change at (%)		Dimensions
						25°C	85°C, 125°C		-55°C	+85°C	DxH (mm)
10	6	11	100000	180	0.035	300	1800	1	-80	+160	35.5x12
			150000		0.025						35.5x16
16	9.5	17.6	60000	165	0.035	300	1800	1	-80	+160	35.5x12
			90000		0.025						35.5x16
25	15	27.5	36000	130	0.04	300	1800	1	-75	+160	35.5x12
			54000		0.035						35.5x16
35	20	38.5	24000	95	0.04	300	1800	1	-70	+160	35.5x12
			36000		0.035						35.5x16
50	30	55	11000	65	0.1	300	2400	1.2	-60	+120	35.5x10
			12000	65	0.1	300			-60	+120	35.5x12
			16000	70	0.04	400			-55	+135	35.5x12
			18000	70	0.04	400			-55	+135	35.5x12
63	38	70	8000	50	0.04	400	2400	1.4	-45	+90	35.5x12
			12000		0.035						35.5x16
			5600	40	0.06	500	3000	1.6	-40	+90	35.5x12
			8200		0.04						35.5x16
100	60	110	2400	35	0.08	500	3000	1.8	-30	+80	35.5x12
			3800		0.05						35.5x12
			3600		0.05						35.5x16
			5700		0.05						35.5x16
110	66	121	1200	35	0.08	500	3000	2	-25	+60	35.5x12
			1800		0.075						35.5x16
			3000		0.075						35.5x16
			4500		0.075						35.5x16
125	75	138	1100	30	0.08	500	3000	2.4	-25	+50	35.5x12
			1600		0.075			2.4	-25	+50	35.5x16
			2200		0.075			2.4	-25	+50	35.5x12
			3300		0.05			2.4	-25	+50	35.5x16
			3300		0.05			2.2	-20	+45	35.5x19

**Kingtronics® International Company**

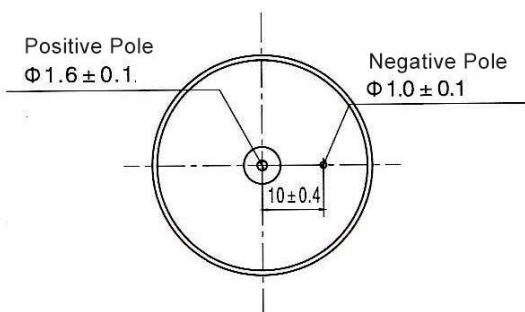
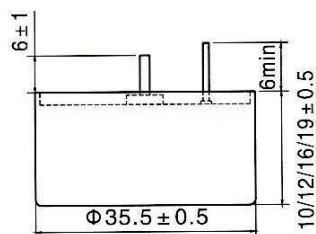
# Kingtronics®

## YKT-002

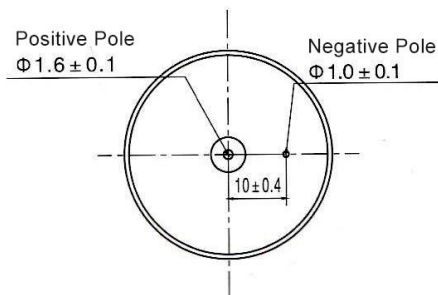
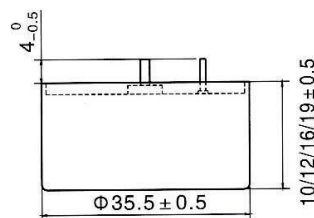
### Hybrid Tantalum Capacitor

Dimensions (unit: mm)

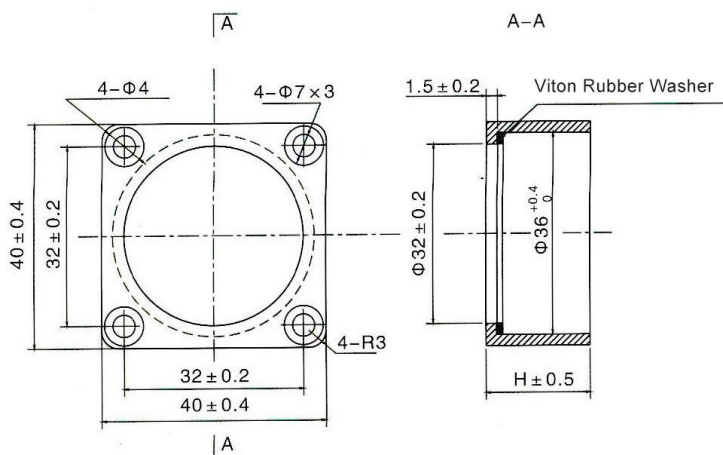
Φ35.5x10/12/16/19 Layout (A Type)



Φ35.5x10/12/16/19 Layout (B Type)



Φ35.5x10/12/16/19 Mounting bracket



Dimensions (mm)	H ± 0.5 mm
Φ35.5x10	10.3
Φ35.5x12	12
Φ35.5x16	16
Φ35.5x19	20

**Note:**

1. Please do not use multimeter through the measuring procedures (may cause irreversible damage and lead to discard).
2. Capacitance and DF measured at 100Hz,  $U_{-}=2.20^{0}_{-1.0}V$ ,  $U_{+}=1.0^{0}_{-0.5}V$  Test only applied in series equivalent circuit.
3. Voltage derating is applied at +125°C. (The DCL parameter should be read after 5 minutes when it connected to the circuit).
4. Special size and demand could consult with us.

**Kingtronics® International Company**

Website: [www.kingtronics.com](http://www.kingtronics.com)

Email: [info@kingtronics.com](mailto:info@kingtronics.com)

Tel: (852) 8106 7033

Fax: (852) 8106 7099