

# Kingtronics®

# WKTS1020040D Tact Switches

## FEATURES

- ◆ Type: SMD surface mounted tact switch
- ◆ Operating Life cycles: 200000

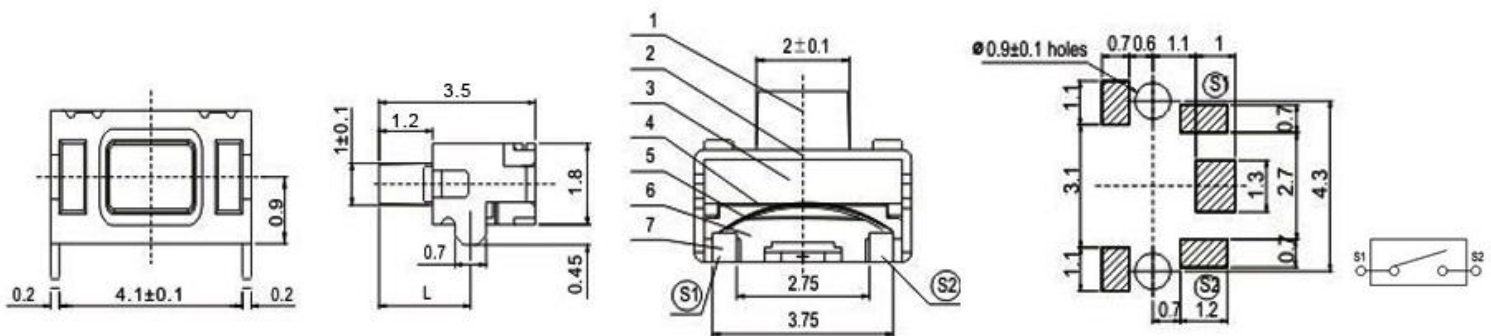


## SPECIFICATIONS

|                             |  |
|-----------------------------|--|
| Operating Temperature Range | -20°C to +70°C   |
| Rated Current and Voltage   | 50mA. / 12V DC   |
| Insulation Resistance       | ≥ 100MΩ  |
| Dielectric Strength         | 250V AC (50Hz or 60Hz) applied across terminals for one minute |
| Contact Resistance          | ≤ 100mΩ  |
| Full Travel                 | 0.2 ± 0.1mm  |
| Operating Force             | 1.6 ± 0.5N   |

## DRAWING (Unit: mm)

General tolerance : ±0.2mm



Note: Specifications are subject to change without notice.

**Kingtronics® International Company**

Website: [www.kingtronics.com](http://www.kingtronics.com) Email: [info@kingtronics.com](mailto:info@kingtronics.com) Tel: (852) 8106 7033 Fax: (852) 8106 7099

# Kingtronics®

# WKTS1020040D Tact Switches

## HOW TO ORDER

| WKT    | A          | 1             | 060060 | C            | 043    | B               | B       | R  |
|--------|------------|---------------|--------|--------------|--------|-----------------|---------|----|
| Series | Sub Series | Internal code | Size   | Installation | Height | Operating Force | Packing | Pb |
|        | 1.         | 2             | 3.     | 4.           | 5.     | 6.              | 7.      | 8  |

## NOTE:

### 1. Sub Series

| Code       | A   | B        | G         | R       | S   | W         | Y          | Z          |
|------------|-----|----------|-----------|---------|-----|-----------|------------|------------|
| Sub Series | DIP | Blue LED | Green LED | Red LED | SMD | White LED | Yellow LED | Waterproof |

### 2. Internal code

### 3. Size

| Code | 020040 | 030030 | 035060 | 045045  | 050050 | 060060 | 072068  | 120120 |
|------|--------|--------|--------|---------|--------|--------|---------|--------|
| Size | 2x4    | 3x3    | 3.5x6  | 4.5x4.5 | 5x5    | 6x6    | 7.2x6.8 | 12x12  |

### 4. Installation

| Code         | A   | B                        | C                       | D   | E        | F                          | G                |
|--------------|-----|--------------------------|-------------------------|-----|----------|----------------------------|------------------|
| Installation | DIP | DIP with Ground Terminal | Horizontal with Bracket | SMD | 2Pin DIP | Horizontal without Bracket | SMD with Bracket |

### 5. Height

| Code   | 015 | 016 | 025 | 038 | 043 | 050  |
|--------|-----|-----|-----|-----|-----|------|
| Height | 1.5 | 1.6 | 2.5 | 3.8 | 4.3 | 5    |
| Code   | 058 | 070 | 090 | 095 | 110 | 125  |
| Height | 5.8 | 7   | 9   | 9.5 | 11  | 12.5 |

### 6. Operating Force

| Code            | A       | B       | C       | D       | E       |
|-----------------|---------|---------|---------|---------|---------|
| Operating Force | 1.0±0.3 | 1.6±0.5 | 2.6±0.5 | 1.3±0.3 | 2.0±0.5 |
| Code            | H       | K       | L       | M       | P       |
| Operating Force | 2.2±0.5 | 5.0±1.0 | 1.2±0.4 | 3.5±0.9 | 2.5±0.3 |
| Code            | Q       | S       | T       |         |         |
| Operating Force | 1.6±0.3 | 1.8±0.5 | 2.3±0.3 |         |         |

### 7. Packing

| Code    | A    | B    | T           |
|---------|------|------|-------------|
| Packing | Ammo | Bulk | Tape & Reel |

### 8. Pb

| Code | R    |
|------|------|
| Pb   | RoHS |

Note: Specifications are subject to change without notice.

**Kingtronics® International Company**

Website: [www.kingtronics.com](http://www.kingtronics.com)

Email: [info@kingtronics.com](mailto:info@kingtronics.com)

Tel: (852) 8106 7033

Fax: (852) 8106 7099