

Kingtronics®

RKT-WJ

Precision Potentiometer

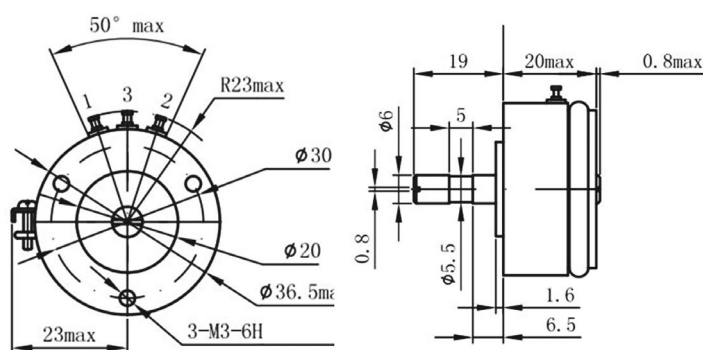
FEATURES

PICTURE

Electrical Characteristics

Standard Resistance Range	1KΩ~10KΩ
Resistance Tolerance	±1% (precision) ±15% (Standard)
Independent Linearity	±0.1% (precision) ±1% (Standard)
Electrical Travel	345° ±2% (Customized angle is available)
Power Rating	2W(70°C)
Temperature Coefficient	±400p.p.m. /°C
Insulation Resistance	≥ 1000MΩ(500VD.C)
Dielectric Strength	1000V(AC.RMS)1min
Output Smoothness	≤±0.1%

Common Dimensions



Mechanical Characteristics

Total Rotational Angle	360° (endless)
Start Torque	$\leq 10 \times 10^{-4}$ N·M

Environmental Characteristics

Temperature range	-55 °C ~ +125 °C
Vibration dynamic	15G 2000 hz
Mechanical life	50,000,000 RPM
Shock	50G 11ms

Note: Specifications are subject to change without notice.

Kingtronics® International Company

Website: www.kingtronics.com Email: info@kingtronics.com Tel: (852) 8106 7033 Fax: (852) 8106 7099