

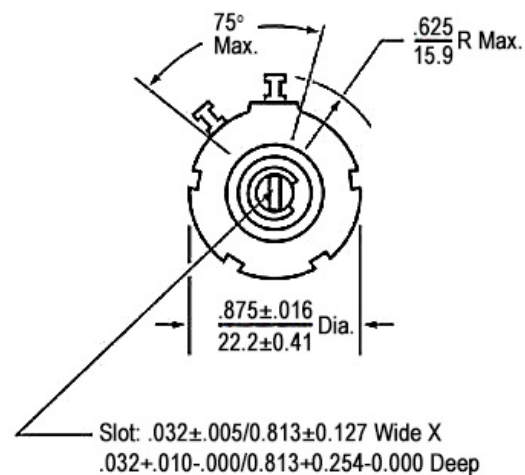
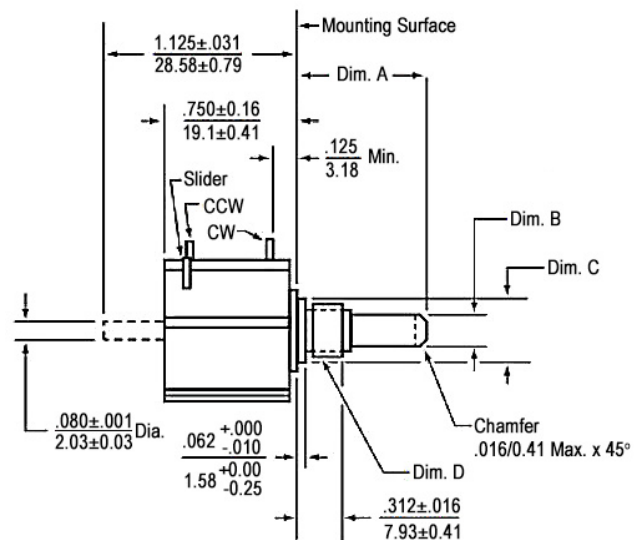
Kingtronics®

RKT-WB Wirewound Potentiometer

Electrical Characteristics	
Standard Resistance Range	100Ω~100KΩ
Resistance Tolerance	±5%
Independent Linearity	±0.25%
Terminal Resistance	≤0.2%R or 5Ω
Contact Resistance Variation (CRV)	≤3%R or 3Ω
Insulation Resistance	R1≥ 1GΩ
Withstand Voltage	101.3kPa 710V, 8.5kPa 470V
Rated Power	2W (315V max)
Effective Electrical Travel	≥360° -10°

Environment Characteristics	
Temperature Range	-55°C~+125°C
Temperature Coefficient	±100ppm/°C
Temperature Variation	ΔR≤±2%R, ΔUab/Uac≤±1%R
Collision (390m/S ² , 4000 times)	ΔR≤±1%R
Vibration (10-500HZ, 0.75mm or 98m/S ² 26h)	ΔR≤±1%R, ΔUab/Uac≤±2%R
Climate Category	ΔR≤± 3%R, R1≥100MΩ
Electrical Endurance (70°C,2W,1000h)	ΔR≤± 3%R
Mechanical Endurance (10000 cycles)	ΔR≤± 3%R
Steady Damp-Heat	ΔR≤± 3%R, R1≥100MΩ

Common Dimensions



Note: Specifications are subject to change without notice.

Kingtronics® International Company

Website: www.kingtronics.com

Email: info@kingtronics.com

Tel: (852) 8106 7033

Fax: (852) 8106 7099