

Kingtronics®

RKT-3313

Trimming Potentiometers

FEATURES

Surface Mount 3mm Square Single-Turn Cermet
Small in size

PICTURE



Electrical Characteristics

Standard Resistance Range	10Ω - 2MΩ
Resistance Tolerance	±20% std.
End Resistance	1% or 2Ω max. (whichever is larger)
Contact Resistance Variation	3% or 3Ω
Adjustability Voltage Divider	±0.1%
Adjustability Rheostat	±0.2%
Insulation Resistance	500 VDC. 100 megohms min.
Dielectric Strength Sea Level	500 VAC
Adjustment Angle	220° nom

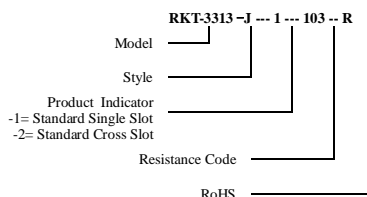
Environmental Characteristics

Max. Soldering Exposure	250°C/10 seconds
Power Rating (200 volts max.)	70°C 0.125 watt / 125°C 0 watt
Operating Temp. Range	-55°C ~ +125°C
Temperature Coefficient	≤100 ohms ±150ppm/°C >100 ohms ±100ppm/°C
Humidity	MIL-STD 202, Method 106 (no vibration) TRS±3%; IR 10megohms
Vibration	20G TRS±1%; VRS±1%
Shock	100G TRS±1%; VRS±1%
Load Life	1000 hours @ 70°C Rated Power; TRS±3%
Rotational Life	100 cycles TRS±3%

Physical Characteristics

Mechanical Angle	250° nom
Torque	50 g-cm max.
Stop Torque	200 g-cm mix.
Wiper	50% (Actual TR)±10%
Standard Packaging	1000pcs, per tape reel

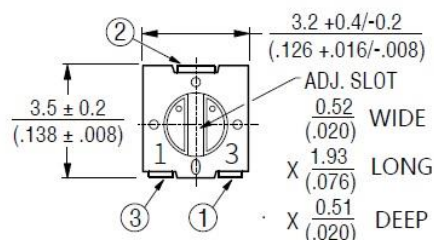
How to Order



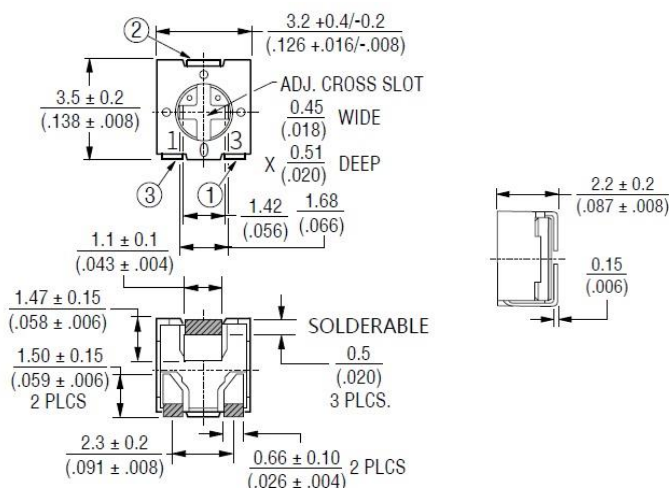
Note: Specifications are subject to change without notice.

Common Dimensions (mm)

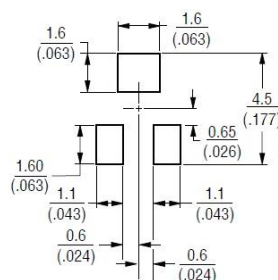
RKT-3313J-1



RKT-3313J-2



RECOMMENDED LAND PATTERN



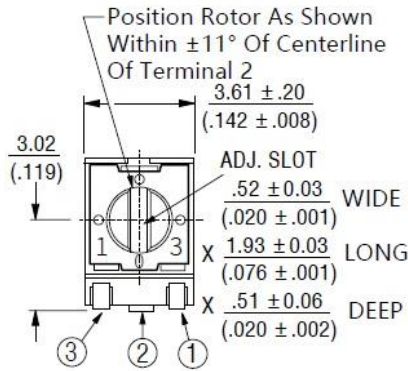
Kingtronics® International Company

Kingtronics®

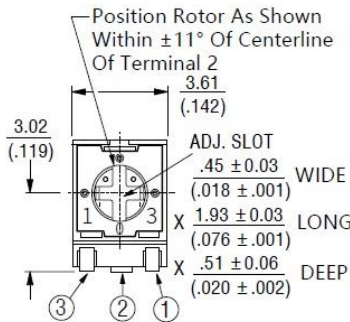
RKT-3313

Trimming Potentiometers

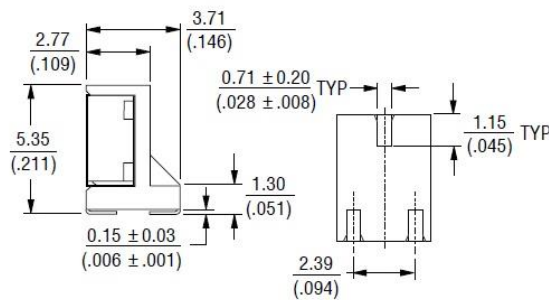
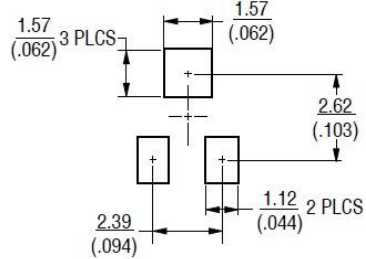
RKT-3313S-1



RKT-3313S-2



RECOMMENDED LAND PATTERN



Dimensions: MM
(INCHES)

Tolerances: ± 0.30 except where noted
(± 012)

Resistance Table

Resistance (Ohms)	Resistance Code
10	100
20	200
50	500
100	101
200	201
500	501
1,000	102
2,000	202
5,000	502
10,000	103
20,000	203
50,000	503
100,000	104
200,000	204
500,000	504
1,000,000	105
2,000,000	205

Special resistances available.

Note: Specifications are subject to change without notice.

Kingtronics® International Company

Website: www.kingtronics.com Email: info@kingtronics.com Tel: (852) 8106 7033 Fax: (852) 8106 7099