

Kingtronics®

RKT-3306

Trimming Potentiometers

FEATURES

Single-Turn / Cermet / Industrial / Open Frame
2 Terminal Styles

PICTURE

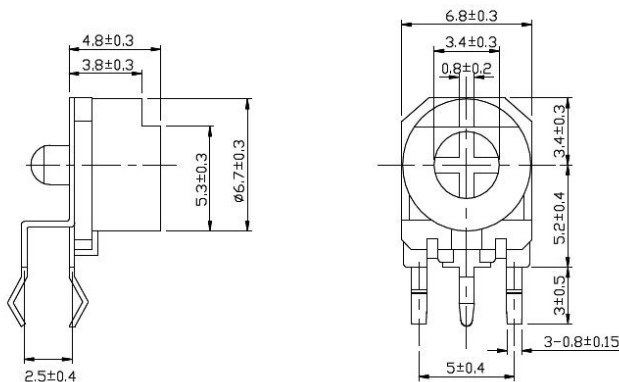


Electrical Characteristics

Standard Resistance Range	100Ω - 1MΩ
Resistance Tolerance	±30% std
Terminal Resistance	≤±1% R (R>2KΩ) ≤20Ω (100Ω≤R≤2KΩ)
Contact Resistance Variation	(CRV)≤3% R
Resolution	Essentially infinite
Adjustment Angle	215°±15°

Common Dimensions

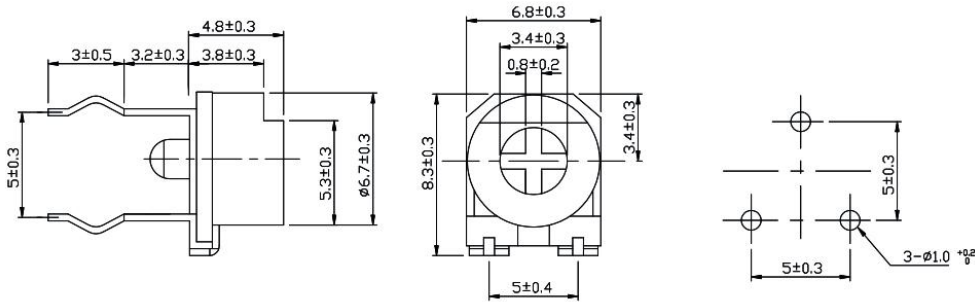
RKT-3306K



Environmental Characteristics

Power Rating	0.2W (70°C)
Temperature Range	-30°C ~ +100°C
Temperature Coefficient	±250ppm/°C
Load Life (0.2W, 1000h, 70°C)	ΔR≤±(5%R+0.1 Ω)
Rotational Life (200cycles)	ΔR≤±(10%R+0.5 Ω)

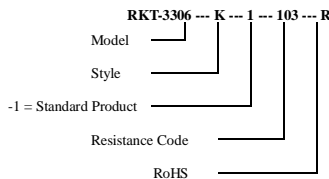
RKT-3306F



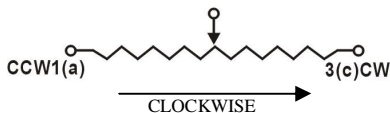
Physical Characteristics

Mechanical Angle	260°±15°
Starting Torque	≤35mN.m
Stop Strength	>50mN.m
Standard packaging	200pcs. Per bag

How to Order



WIPER 2(b)



Note: Specifications are subject to change without notice.

Resistance Table

Resistance(Ohms)	Resistance Code
100	101
200	201
500	501
1,000	102
2,000	202
5,000	502
10,000	103
20,000	203
25,000	253
50,000	503
100,000	104
200,000	204
250,000	254
500,000	504
1,000,000	105

Special resistances are available.