

# Kingtronics®

# GKT-VY

## Aluminum Electrolytic Capacitor – SMD

### FEATURES

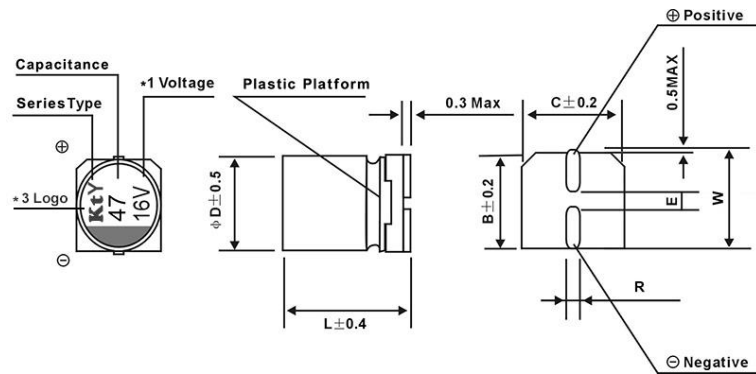
- ◆ 105°C 2,000 hours
- ◆ Solvent proof (within 2 minutes)



### SPECIFICATIONS

Rated Voltage (V)	-	6.3	10	16	25	35	50
Surge Voltage (V)	Room temperature	8.0	13	20	32	44	63
Category Temperature Range (°C)	-	-55 to +105					
Capacitance Tolerance (%)	120Hz/20°C	M : ±20					
Dissipation Factor (Tan δ)	tan δ (max) 120Hz/20°C	0.26	0.20	0.18	0.16	0.14	0.12
Leakage Current (LC)	µA/after 2minutes (max)	The greater value of either 0.01CV or 3µA					
Impedance Ratio at Low Temperature	Based on the value at 120Hz, +20°C	-25°C	Z/Z20°C	3	3	3	3
		-55°C	Z/Z20°C	4	4	4	3
Endurance	105°C, 2,000hours rated voltage applied (With the rated ripple current)	Δ C/C	Within ±20% of the initial value				
		tanδ	Less than 200% of the specified value				
		LC	Less than the specified value				

### DRAWING (Unit: mm)



ΦDxL	6.3x5.8	6.3x7.7	8x10.5	10x10.5	10x13.5
B	6.6	6.6	8.3	10.3	10.3
C	6.6	6.6	8.3	10.3	10.3
E±0.2	2.2	2.2	3.1	4.4	4.4
L	5.8	7.7	10.5	10.5	13.5
R	0.5to0.8	0.5to0.8	0.7to1.2	0.7to1.2	0.7to1.2
W	7.3	7.3	9.2	11.2	11.2

\*1 Voltage mark for 6.3V is [6V] or [6.3V] \*2 Applicable to Φ6.3 \*3 Kt logo mark for D:4mm & 5mm is [K] Product Markings: KtY, RZ

Please visit our website to get more update data, those data & specification are subject to change without notice.

**Kingtronics® International Company**

Website: [www.kingtronics.com](http://www.kingtronics.com) Email: [info@kingtronics.com](mailto:info@kingtronics.com) Tel: (852) 8106 7033 Fax: (852) 8106 7099

**Kingtronics**®**GKT-VY**

Aluminum Electrolytic Capacitor – SMD

**FREQUENCY COEFFICIENT OF ALLOWABLE RIPPLE CURRENT**

Frequency:F(Hz)		100≤F<1k	1k≤F<10k	10k≤F<100k	100k≤F
Capacitance: C(μF)	C≤ 33	0.35	0.70	0.90	1.00
	33<C≤ 150	0.40	0.85	0.92	1.00
	150<C	0.60	0.85	0.95	1.00

**DIMENSIONS & MAXIMUM PERMISSIBLE RIPPLE CURRENT&ESR**

WV uF Parameter		6.3			10			16		
		0J			1A			1C		
33	330									
47	470							6.3x5.8	0.26	300
68	680							6.3x5.8	0.26	300
100	101	6.3x5.8	0.26	300				6.3x5.8 (6.3x7.7)	0.26 (0.16)	300 (600)
150	151				6.3x5.8	0.26	300	6.3x7.7	0.16	600
220	221	6.3x5.8	0.26	300	6.3x7.7	0.16	600	6.3x7.7	0.16	600
330	331	6.3x7.7	0.16	600	8x10.5	0.08	850	8x10.5	0.08	850
390	391									
470	471	8x10.5	0.08	850	8x10.5	0.08	850	8x10.5	0.08	850
560	561									
680	681				8x10.5	0.08	850	10x10.5	0.06	1190
820	821							10x10.5	0.08	850
1000	102	8x10.5	0.08	850	10x10.5	0.06	1190			
1200	122				10x10.5	0.08	850			
1500	152	10x10.5	0.06	1190				Case size: ΦDxL(mm)	ESR (Ω) max at 100kHz, 20℃	Rated ripple current mA <sub>RMS</sub> (100kHz ,105℃)

WV uF Parameter		25			35			50		
		1E			1V			1H		
33	330	6.3x5.8	0.26	300	6.3x5.8	0.26	300			
47	470	6.3x5.8	0.26	300	6.3x5.8	0.26	300			
68	680	6.3x5.8	0.26	300	6.3x7.7	0.16	600			
100	101	6.3x7.7	0.16	600	6.3x7.7 (8x10.5)	0.16 (0.08)	600 (850)	8x10.5	0.18	670
150	151	8x10.5	0.08	850	8x10.5	0.08	850			
220	221	8x10.5	0.08	850	8x10.5	0.08	850	10x10.5	0.12	900
330	331	8x10.5	0.08	850	10x10.5	0.06	1190			
390	391				10x10.5	0.08	850			
470	471	10x10.5	0.06	1190						
560	561	10x10.5	0.08	850				Case size: ΦDxL(mm)	ESR (Ω) max at 100kHz, 20℃	Rated ripple current mA <sub>RMS</sub> (100kHz ,105℃)

Please visit our website to get more update data, those data &amp; specification are subject to change without notice.

**Kingtronics**® International CompanyWebsite: [www.kingtronics.com](http://www.kingtronics.com) Email: [info@kingtronics.com](mailto:info@kingtronics.com) Tel: (852) 8106 7033 Fax: (852) 8106 7099

# Kingtronics®

# GKT-VY

## Aluminum Electrolytic Capacitor – SMD

### HOW TO ORDER

<u>GKT</u>	<u>VY</u>	<u>0J</u>	<u>M</u>	<u>220</u>	<u>040054</u>	<u>T</u>	<u>R</u>
Series	Sub Series	Voltage	Capacitance Tolerance	Capacitance	Case Size	Packing	Pb
		1.	2.	3.	4.	5.	6.

### NOTE:

#### 1. Rated Voltage

Code	0G	0J	1A	1C	1E	1V	1H	1J	2A
Voltage	4	6.3	10	16	25	35	50	63	100

#### 2. Capacitance Tolerance

Code	K	M	Q	T
Tolerance	±10%	±20%	+30-10%	+50-10%

#### 3. Capacitance

Code	0R1	R47	010	4R7	100	470	101	471	102	472	103
Capacitance (µF)	0.1	0.47	1	4.7	10	47	100	470	1000	4700	10000

#### 4. Case Size

Code	040054	050054	063054	080105	100105	125135	160215
Case Size (mm)	4x5.4	5x5.4	6.3x5.4	8x10.5	10x10.5	12.5x13.5	16x21.5

#### 5. Packing

Code	T
Packing	Tape & Reel

#### 6. Pb

Code	R
Pb	RoHS

Note: Specifications are subject to change without notice.

**Kingtronics® International Company**

Website: [www.kingtronics.com](http://www.kingtronics.com) Email: [info@kingtronics.com](mailto:info@kingtronics.com) Tel: (852) 8106 7033 Fax: (852) 8106 7099