

Kingtronics®

GKT-VX

Aluminum Electrolytic Capacitor – SMD

FEATURES

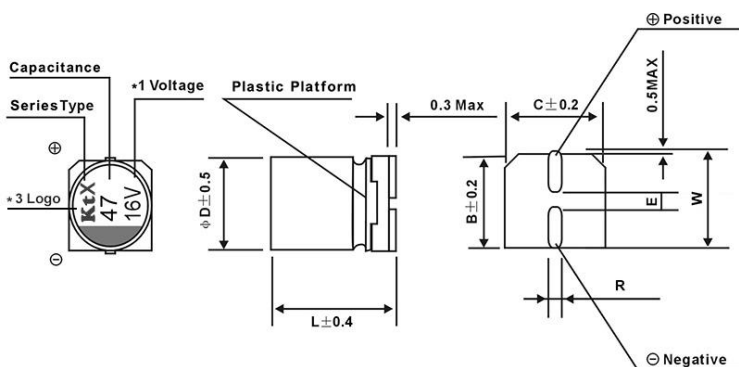
- ◆ 105°C 2,000 to 5,000hours
- ◆ Solvent proof (within 2 minutes)



SPECIFICATIONS

Rated Voltage (V)	-	6.3	10	16	25	35	50	
Surge Voltage (V)	Room temperature	8.0	13	20	32	44	63	
Category Temperature Range (°C)	-	-55 to +105						
Capacitance Tolerance (%)	120Hz/20°C	M : ±20						
Dissipation Factor (Tan δ)	tan δ (max) 120Hz/20°C	Φ4 to Φ6.3	0.24	0.20	0.18	0.16	0.14	0.12
		Φ8 to Φ10	0.26	0.24	0.20	0.18	0.16	0.14
Leakage Current (LC)	μA/after 2minutes (max)	Exceeding 1,000μF, +0.02 every 1,000μF						
Impedance Ratio at Low Temperature	Based on the value at 120Hz, +20°C	-25°C	Z/Z20°C	3	2	2	2	2
		-55°C	Z/Z20°C	5	4	4	3	3
Endurance	105°C 2,000hours rated voltage applied (With the rated ripple current)	Test	6.3V.DC : 3,000hours, Φ8x10.5 and Φ10x10.5 : 5,000hours					
		ΔC/C	Within ±30% of the initial value					
		tanδ	Less than 300% of the specified value					
		LC	Less than the specified value					

DRAWING (Unit: mm)



ΦDxL	4x5.4	5x5.4	6.3x5.4	6.3x7.7	8x6.5	8x10.5	10x10.5
B	4.3	5.3	6.6	6.6	8.3	8.	10.3
C	4.3	5.3	6.6	6.6	8.3	8.3	10.3
E±0.2	1.0	1.3	2.2	2.2	3.1	3.1	4.4
L	5.4	5.4	5.4	7.7	6.5	10.5	10.5
R	0.5to0.8	0.5to0.8	0.5to0.8	0.5to0.8	0.7to1.0	0.7to1.0	0.1to1.4
W	5.1	6.1	7.3	7.3	9.2	9.2	11.2

*1 Voltage mark for 6.3V is [6V] or [6.3V] *2 Applicable toΦ6.3 *3 Kt logo mark for D:4mm & 5mm is [Kt] Product Markings: KtX, KX, RX

Please visit our website to get more update data, those data & specification are subject to change without notice.

FREQUENCY COEFFICIENT OF ALLOWABLE RIPPLE CURRENT

Frequency:F(Hz)	100≤F<1k	1k≤F<10k	10k≤F<100k	100k≤F
C≤33	0.35	0.70	0.90	1.00
33<C≤150	0.40	0.85	0.92	1.00
150<C	0.60	0.85	0.96	1.00

Kingtronics® International Company

Website: www.kingtronics.com Email: info@kingtronics.com Tel: (852) 8106 7033 Fax: (852) 8106 7099

Kingtronics®**GKT-VX**

Aluminum Electrolytic Capacitor – SMD

DIMENSIONS & MAXIMUM PERMISSIBLE RIPPLE CURRENT&ESR

WV		6.3			10			16		
uF	Parameter	0J			1A			1C		
		47	470							4x5.8
68	680				4x5.8	0.85	160	5x5.8	0.36	240
100	101	4x5.8	0.85	160				5x5.8	0.36	240
150	151				5x5.8	0.36	240	6.3x5.8	0.26	300
220	221	5x5.8	0.36	240	6.3x5.8	0.26	300	6.3x5.8	0.26	300
330	331	6.3x5.8	0.26	300	6.3x7.7	0.16	600	6.3x7.7	0.16	600
390	391									
470	471	6.3x7.7	0.16	600	6.3x7.7	0.16	600	8x6.5	0.16	600
560	561									
680	681	6.3x7.7	0.16	600				8x10.5	0.08	850
820	821							8x10.5	0.08	850
1000	102				8x10.5	0.08	850	10x10.5	0.06	1190
1200	122							10x10.5	0.06	1190
1500	152	8x10.5	0.08	850	10x10.5	0.06	1190			
2200	222	10x10.5	0.06	1190				Case size: ΦDxL (mm)	Impedance (Ω) max at 100kHz, 20°C	Rated ripple current mArms (100kHz,105°C)

WV		25			35			50		
uF	Parameter	1E			1V			1H		
		10	100							4x5.8 (5x5.8)
22	220				4x5.8	0.85	160	5x5.8	0.88	165
33	330	4x5.8	0.85	160	5x5.8	0.36	240			
47	470	5x5.8	0.36	240	5x5.8	0.36	240	6.3x5.8	0.68	195
68	680	5x5.8	0.36	240	6.3x5.8	0.26	300			
100	101	6.3x5.8	0.26	300	6.3x5.8	0.26	300	6.3x7.7	0.34	350
150	151	6.3x7.7	0.16	600	6.3x7.7	0.16	600			
220	221	6.3x7.7	0.16	600				8x10.5	0.18	670
330	331				8x10.5	0.08	850	10x10.5	0.12	450
390	391	8x10.5	0.08	850	8x10.5	0.08	850			
470	471	8x10.5	0.08	850						
560	561	8x10.5	0.08	850	10x10.5	0.06	1100			
680	681				10x10.5	0.06	1190			
820	821	10x10.5	0.06	1190						
1000	102	10x10.5	0.06	1190				Case size: ΦDxL (mm)	Impedance (Ω) max at 100kHz, 20°C	Rated ripple current mArms (100kHz,105°C)

Please visit our website to get more update data, those data & specification are subject to change without notice.

Kingtronics® International CompanyWebsite: www.kingtronics.comEmail: info@kingtronics.com

Tel: (852) 8106 7033

Fax: (852) 8106 7099

Kingtronics®

GKT-VX

Aluminum Electrolytic Capacitor – SMD

HOW TO ORDER

<u>GKT</u>	<u>VX</u>	<u>0J</u>	<u>M</u>	<u>220</u>	<u>040054</u>	<u>T</u>	<u>R</u>
Series	Sub Series	Voltage	Capacitance Tolerance	Capacitance	Case Size	Packing	Pb
		1.	2.	3.	4.	5.	6.

NOTE:

1. Rated Voltage

Code	0G	0J	1A	1C	1E	1V	1H	1J	2A
Voltage	4	6.3	10	16	25	35	50	63	100

2. Capacitance Tolerance

Code	K	M	Q	T
Tolerance	±10%	±20%	+30-10%	+50-10%

3. Capacitance

Code	0R1	R47	010	4R7	100	470	101	471	102	472	103
Capacitance (µF)	0.1	0.47	1	4.7	10	47	100	470	1000	4700	10000

4. Case Size

Code	040054	050054	063054	080105	100105	125135	160215
Case Size (mm)	4x5.4	5x5.4	6.3x5.4	8x10.5	10x10.5	12.5x13.5	16x21.5

5. Packing

Code	T
Packing	Tape & Reel

6. Pb

Code	R
Pb	RoHS

Note: Specifications are subject to change without notice.

Kingtronics® International Company

Website: www.kingtronics.com Email: info@kingtronics.com Tel: (852) 8106 7033 Fax: (852) 8106 7099