

# Kingtronics®

# GKT-VN

## Aluminum Electrolytic Capacitor – SMD

### FEATURES

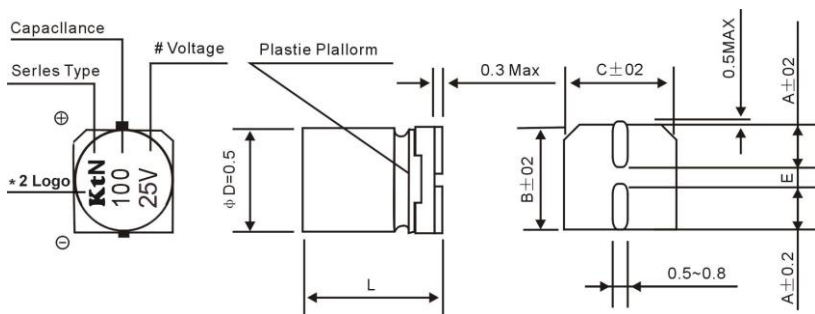
- ◆ +105°C 2000 hours
- ◆ Solvent proof (within 2 minutes)



### SPECIFICATIONS

Rated Voltage (V)	-	6.3	10	16	25	35	50	
Surge Voltage (V)	Room temperature	8.0	13	20	32	44	63	
Category Temperature range (°C)	-	-55 to +105						
Capacitance tolerance (%)	120Hz/20°C	M : ±20						
Dissipation Factor (Tan δ)	tanδ (max) 120Hz/20°C	0.32	0.26	0.24	0.22	0.20	0.20	
Leakage Current (LC)	µA/after 2minutes (max)	0.03CV + 6µA						
Impedance Ratio at Low Temperature	Based on the value at 120Hz, +20°C	-25°C	Z/Z20°C	4	3	2	2	2
		-40°C	Z/Z20°C	10	8	6	4	3
Endurance	500hours×4(alternately) 105 °C ,rated voltage applied(With the rated ripple current)	ΔC/C	Within ±30% of the initial value					
		tanδ	Less than 300% of the specified value					
		LC	Less than the specified value					

### DRAWING (Unit: mm)



\*1 Voltage mark for 6.3V is [6V] or [6.3V]

\*2 **Kt** logo mark for D: 4mm & 5mm is [**K**] Product Markings: KtN, KN, VN

### DIMENSIONS (Unit: mm)

ØDxL	4x5.4	5x5.4	6.3x5.4	6.3x7.7
A	1.8	2.1	2.4	2.4
B	4.3	5.3	6.6	6.6
C	4.3	5.3	6.6	6.6
E	1.0	1.3	2.2	2.2
L±0.6	5.4	5.4	5.4	7.7

**Kingtronics® International Company**

Website: [www.kingtronics.com](http://www.kingtronics.com) Email: [info@kingtronics.com](mailto:info@kingtronics.com) Tel: (852) 8106 7033 Fax: (852) 8106 7099

# Kingtronics®

# GKT-VN

## Aluminum Electrolytic Capacitor – SMD

### DIMENSIONS & MAXIMUM PERMISSIBLE RIPPLE CURRENT

Cap/μF		WVV		6.3		10		16		25		35		50	
		0J	1A	1C	1E	1V	1H								
1	010	--	--	--	--	--	--	--	--	--	--	4x5.4	10		
2.2	2R2	--	--	--	--	--	--	--	--	4x5.4	8.4	5x5.4	15		
3.3	3R3	--	--	--	--	--	--	4x5.4	10	5x5.4	16	5x5.4	18		
4.7	4R7	--	--	--	--	4x5.4	12	5x5.4	16	5x5.4	18	6.3x5.4	20		
10	100	--	--	4x5.4	17	5x5.4	23	6.3x5.4	28	6.3x5.4	27	6.3x5.4	25		
22	220	--	--	5x5.4	28	6.3x5.4	37	6.3x5.4	35	6.3x5.4	30	6.3x7.7	35		
33	330	6.3x5.4	37	6.3x5.4	33	6.3x5.4	49	6.3x7.7	50	6.3x7.7	35	--	--		
47	470	6.3x5.4	45	6.3x5.4	41	6.3x7.7	55	--	--	--	--	--	--		
100	101	6.3x7.7	82	6.3x7.7	60	--	--	--	--	--	--	Case size	Allowable ripple		

Case size: φ D(mm) Allowable Ripple (mA rms) at 105°C 120Hz

### FREQUENCY COEFFICIENT OF ALLOWABLE RIPPLE CURRENT

Frequency: F(Hz)		100 ≤ F < 1k	1k ≤ F < 10k	10k ≤ F < 100k	100k ≤ F
Capacitance: C(μF)	C ≤ 4.7	1.00	1.30	1.50	1.80
	4.7 < C ≤ 33	1.00	1.20	1.30	1.45
	33 < C	1.00	1.10	1.20	1.30

**Kingtronics® International Company**

Website: [www.kingtronics.com](http://www.kingtronics.com) Email: [info@kingtronics.com](mailto:info@kingtronics.com) Tel: (852) 8106 7033 Fax: (852) 8106 7099

# Kingtronics®

# GKT-VN

## Aluminum Electrolytic Capacitor – SMD

### HOW TO ORDER

<u>GKT</u>	<u>VN</u>	<u>0J</u>	<u>M</u>	<u>220</u>	<u>040054</u>	<u>I</u>	<u>R</u>
Series	Sub Series	Voltage	Capacitance Tolerance	Capacitance	Case Size	Packing	Pb
		1.	2.	3.	4.	5.	6.

### NOTE:

#### 1. Rated Voltage

Code	0G	0J	1A	1C	1E	1V	1H	1J	2A
Voltage	4	6.3	10	16	25	35	50	63	100

#### 2. Capacitance Tolerance

Code	K	M	Q	T
Tolerance	±10%	±20%	+30-10%	+50-10%

#### 3. Capacitance

Code	0R1	R47	010	4R7	100	470	101	471	102	472	103
Capacitance (µF)	0.1	0.47	1	4.7	10	47	100	470	1000	4700	10000

#### 4. Case Size

Code	040054	050054	063054	080105	100105	125135	160215
Case Size (mm)	4x5.4	5x5.4	6.3x5.4	8x10.5	10x10.5	12.5x13.5	16x21.5

#### 5. Packing

Code	T
Packing	Tape & Reel

#### 6. Pb

Code	R
Pb	RoHS

Note: Specifications are subject to change without notice.

**Kingtronics® International Company**

Website: [www.kingtronics.com](http://www.kingtronics.com)

Email: [info@kingtronics.com](mailto:info@kingtronics.com)

Tel: (852) 8106 7033

Fax: (852) 8106 7099