

Kingtronics®

GKT-VL

Aluminum Electrolytic Capacitor – SMD

FEATURES

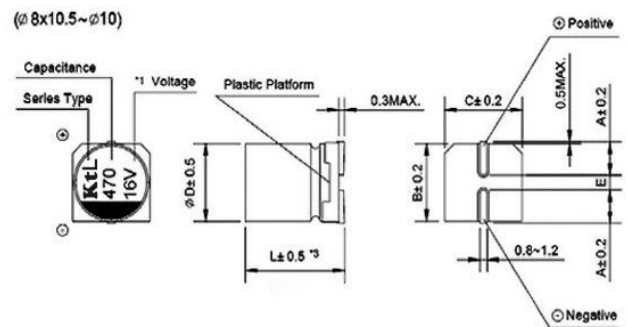
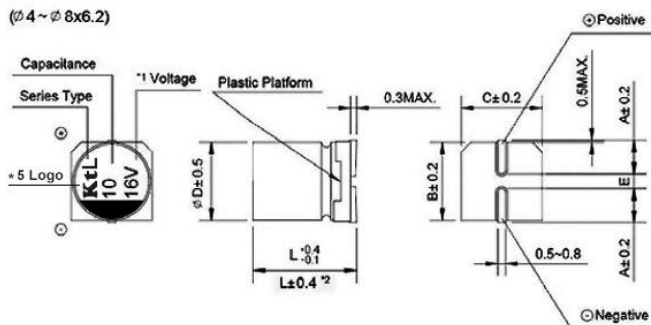
- ◆ 105°C 5,000hours
- ◆ Solvent proof (within 2 minutes)



SPECIFICATIONS

Rated Voltage (V)	-	6.3	10	16	25	35	50	63	80	100	
Surge Voltage (V)	Room temperature	8.0	13	20	32	44	63	79	100	125	
Category Temperature Range(°C)	-	-55 to +105									
Capacitance Tolerance (%)	120Hz/20°C	M : ±20									
Dissipation Factor (Tan δ)	tanδ (max) 120Hz/20°C	Ø4~Ø10	0.30	0.24	0.20	0.18	0.16	0.14	0.14	0.14	0.14
		Ø12.5~Ø16	0.38	0.34	0.30	0.28	0.22	0.18	0.16	0.16	0.16
		Exceeding 1,000µF, +0.02 every 1,000µF									
Leakage Current (LC)	µA/after 2minutes (max)	The greater value of either 0.01CV or 3µA									
Impedance Ratio at Low Temperature	Based on the value at 120Hz, +20°C	-25°C	Z/Z20°C	7	4	3	2	2	2	2	2
		-55°C	Z/Z20°C	15	8	6	4	4	4	3	3
Endurance	105°C, 5,000hours rated voltage applied (With the rated ripple current)	ΔC/C	Within ±30% of the initial value								
		tanδ	Less than 300% of the specified value								
		LC	Less than the specified value								

DRAWING (Unit: mm)



×1 Voltage mark for 6.3V is [6V] or [6.3V] ×2 Applicable to Ø6.3x7.7 ×3 Applicable to Ø8x10.5~Ø10
 × 5 **Kt** logo mark for D:4mm & 5mm is [**K**] Product Markings: KtL, KL, KL

Kingtronics® International Company

Website: www.kingtronics.com Email: info@kingtronics.com Tel: (852) 8106 7033 Fax: (852) 8106 7099

Kingtronics®**GKT-VL**

Aluminum Electrolytic Capacitor – SMD

DIMENSIONS(Unit: mm)

∅D×L	4×5.8	5×5.8	6.3×5.8	6.3×7.7	8×10.5	10×10.5	10×13.5	12.5×13.5	12.5×16	16×16.5
A	2.0	2.2	2.6	2.6	3.0	3.3	3.3	4.7	4.7	5.5
B	4.3	5.3	6.6	6.6	8.3	10.3	10.3	13.0	13.0	17.0
C	4.3	5.3	6.6	6.6	8.3	10.3	10.3	13.0	13.0	17.0
E±0.2	1.0	1.3	2.2	2.2	3.1	4.4	4.4	4.4	4.4	6.4
L	5.8	5.8	5.8	7.7	10.5	10.5	13.5	13.5	16.0	16.5

DIMENSIONS&MAXIMUM PERMISSIBLE RIPPLE CURRENT

WV		6.3		10		16		25		35	
		0J		1A		1C		1E		1V	
Cap. (μF)											
4.7	4R7									4×5.8	16
10	100					4×5.8	18	5×5.8	27	5×5.8	27
22	220	4×5.8	22	5×5.8	30	5×5.8	30	6.3×5.8	44	6.3×5.8	44
33	330	5×5.8	35	5×5.8	36	6.3×5.8	48	6.3×5.8	50	6.3×7.7	57
47	470	5×5.8	40	6.3×5.8	50	6.3×5.8	50	6.3×7.7	63	8×10.5	92
100	101	6.3×5.8	65	6.3×7.7	80	6.3×7.7	80	8×10.5	120	8×10.5	130
150	151	6.3×7.7	85	8×10.5	125	8×10.5	125	10×10.5	220	10×10.5	290
220	221	6.3×7.7	120	8×10.5	140	8×10.5	140	10×10.5	220	10×10.5	320
330	331	8×10.5	220	8×10.5	220	10×10.5	290	10×10.5	320		
				10×10.5	290						
470	471	10×10.5	320	10×10.5	320	10×10.5	320				
680	681	10×10.5	320	10×10.5	320						
1000	102	10×10.5	410							Case Size	Ripple Current

Kingtronics® International CompanyWebsite: www.kingtronics.comEmail: info@kingtronics.com

Tel: (852) 8106 7033

Fax: (852) 8106 7099

Kingtronics®

GKT-VL

Aluminum Electrolytic Capacitor – SMD

DIMENSIONS&MAXIMUM PERMISSIBLE RIPPLE CURRENT

WV		50		63		80		100	
Cap. (μF)		1H		1J		1K		2A	
0.47	R47	4x5.8	5						
1	010	4x5.8	8						
2.2	2R2	4x5.8	12						
3.3	3R3	4x5.8	17					6.3x7.7	30
4.7	4R7	5x5.8	22					6.3x7.7	40
10	100	6.3x5.8	32	6.3x7.7	45	8x10.5	55	8x10.5	55
22	220	6.3x7.7	58	8x10.5	65	8x10.5	65	10x10.5	70
33	330	8x10.5	65	10x10.5	80	10x10.5	80	10x10.5	80
47	470	8x10.5	90	10x10.5	110	10x10.5	110		
100	101	10x10.5	160					Case Size	Ripple Current

Case Size ØDxL(mm), ripple current(mA rms) at 105°C 120Hz

FREQUENCY COEFFICIENT OF ALLOWABLE RIPPLE CURRENT

Frequency: F(Hz)		100≤F<1k	1k≤F<10k	10k≤F<100k	100k≤F
Capacitance: C(μF)	C≤4.7	1.00	1.30	1.50	1.80
	4.7<C≤33	1.00	1.20	1.30	1.45
	33<C	1.00	1.10	1.20	1.30

Please visit our website to get more update data, those data & specification are subject to change without notice.

Kingtronics® International Company

Website: www.kingtronics.com Email: info@kingtronics.com Tel: (852) 8106 7033 Fax: (852) 8106 7099

Kingtronics®

GKT-VL

Aluminum Electrolytic Capacitor – SMD

HOW TO ORDER

<u>GKT</u>	<u>VL</u>	<u>0J</u>	<u>M</u>	<u>220</u>	<u>040054</u>	<u>T</u>	<u>R</u>
Series	Sub Series	Voltage	Capacitance Tolerance	Capacitance	Case Size	Packing	Pb
		1.	2.	3.	4.	5.	6.

NOTE:

1. Rated Voltage

Code	0G	0J	1A	1C	1E	1V	1H	1J	1K	2A
Voltage	4	6.3	10	16	25	35	50	63	80	100

2. Capacitance Tolerance

Code	K	M	Q	T
Tolerance	±10%	±20%	+30-10%	+50-10%

3. Capacitance

Code	0R1	R47	010	4R7	100	470	101	471	102	472	103
Capacitance (µF)	0.1	0.47	1	4.7	10	47	100	470	1000	4700	10000

4. Case Size

Code	040058	050058	063058	080105	100105
Case Size (mm)	4x5.8	5x5.8	6.3x5.8	8x10.5	10x10.5

5. Packing

Code	T
Packing	Tape & Reel

6. Pb

Code	R
Pb	RoHS

Note: Specifications are subject to change without notice.

Kingtronics® International Company

Website: www.kingtronics.com Email: info@kingtronics.com Tel: (852) 8106 7033 Fax: (852) 8106 7099