

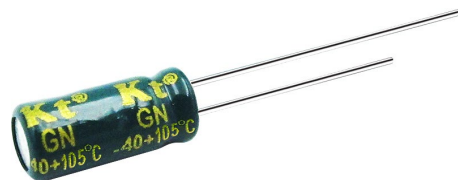
Kingtronics®

GKT-GN

Aluminum Electrolytic Capacitor – Radial

FEATURES

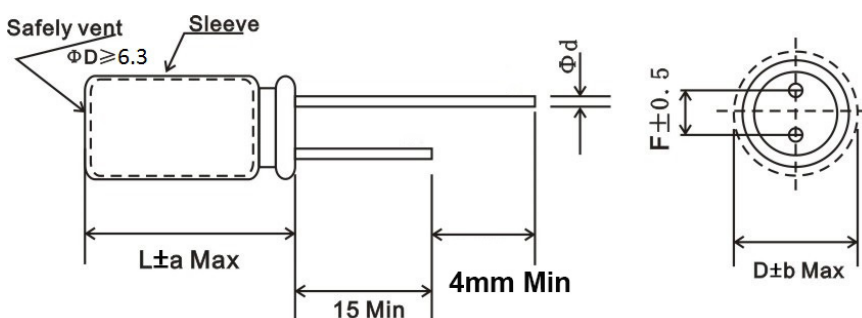
- ◆ Non-Polarized
- ◆ Used in polarity reverse and change circuits.



SPECIFICATIONS

OPERATING TEMPERATURE RANGE (°C)	-40°C ~ +105°C								
Capacitance Range (µF)	0.47µF ~ 4700µF								
Rated Voltage Range (V)	10V ~ 160V								
CAPACITANCE TOLERANCE (+20°C, 120Hz)	±20%								
LEAKAGE CURRENT	I ≤ 0.03CV + 3(µA) (1 minute)								
DISSIPATION FACTOR (+20°C, 120Hz)	Rated Voltage (V)	10	16	25	35	50	63	100	160
	Tan δ	0.24	0.22	0.20	0.15	0.14	0.10	0.09	0.15
For capacitance value > 1000µF, add 0.02 for every increase of 1000µF									
Temperature Characteristics (120Hz)	Rated Voltage (V)	10	16	25	35	50	63	100	160
	Impedance Ratio	Z-25°C/Z+20°C	3			2			4
		Z-40°C/Z+20°C	8	6	5	4	3		--
LOAD LIFE (105°C)	After applying rated voltage for 500x2 hours at +105°C and then resumed 16 hours								
	Leakage Current	≤ Initial specified value							
	Capacitance Change	±20% initial measured value							
	Dissipation Factory	≤ 2 Initial specified value							
SHELF LIFE (105°C)	After storage for 1000 hours at +105°C and then resumed 16 hours								
	Leakage Current	≤ 2 Initial specified value							
	Capacitance Change	±20% initial measured value							
	Dissipation Factory	≤ 2 Initial specified value							

DIMENSIONS (mm)



ΦD	5	6.3	8	10	13	16	18
F	2.0	2.5	3.5	5.0			7.5
Φd±0.05	0.5			0.6			0.8
b Max	0.5						1.0

a Max	D<18	D=18	
		L<35.5	L≥35.5
	+1.5 -1.0	+1.5 -1.0	+2.0 -1.0

MULTIPLIER FOR RIPPLE CURRENT

Frequency Coefficient		Freq(Hz)				
Rated Voltage(V)	Factor	50,60	120	1K	10K	100K
		6.3 ~ 16	0.80	1	1.1	1.2
25 ~ 35	0.80	1	1.5	1.7	1.7	
50 ~ 160	0.80	1	1.6	1.9	1.9	

Temperature coefficient		
Temperature (°C)	+70	+85
Factor	1.35	1

Kingtronics® International Company

Kingtronics®

GKT-GN

Aluminum Electrolytic Capacitor – Radial

STANDARD RATINGS

Cap/μF \ WV/V	10V		16V		25V		35V	
4.7	--	--	--	--	--	--	5x11	23
10	--	--	5x11	31	5x11	31	5x11	31
22	5x11	41	5x11	38	5x11	48	6.3x11	52
33	5x11	50	5x11	62	6.3x11	62	6x12	68
47	5x11	58	5x11	71	6.3x11	89	8x12	95
100	6.3x11	102	6x12	115	8x12	147	8x16	152
220	6x12	185	8x12	252	10x13	263	10x17	285
330	8x16	275	8x16	305	10x17	355	10x21	383
470	8x16	310	10x17	363	10x21	408	13x21	415
1000	10x21	575	13x20	648	13x25	768	16x26	802
2200	13x25	955	16x26	1015	16x35	1186	--	--
3300	16x26	1255	19x35	1311	--	--	--	--
4700	19x35	1553	--	--	--	--	--	--

Rated ripple current (mA. m.s./105°C, 120Hz)

Cap/μF \ WV/V	50V		63V		100V		160V	
0.47	--	--	--	--	5x11	9.2	--	--
1	--	--	--	--	5x11	13	--	--
2.2	--	--	--	--	5x11	19	--	--
3.3	5x11	21	5x11	23	5x11	24	8x12	55
4.7	5x11	25	5x11	38	6.3x11	38	8x12	63
10	6.3x11	41	6.3x11	53	8x12	58	10x17	79
22	8x12	84	8x12	88	10x13	95	10x21	118
33	8x12	95	10x13	105	10x21	113	13x25	145
47	8x16	109	10x13	115	10x21	128	12x35	168
100	10x17	183	10x21	215	13x25	234	16x30	338
220	13x21	315	13x25	385	16x26	415	--	--
330	13x25	412	16x26	550	--	--	--	--
470	16x30	529	19x35	598	--	--	--	--

Rated ripple current (mA. m.s./105°C, 120Hz)

Kingtronics® International Company

Website: www.kingtronics.com Email: info@kingtronics.com Tel: (852) 8106 7033 Fax: (852) 8106 7099

Kingtronics®**GKT-GN**

Aluminum Electrolytic Capacitor – Radial

HOW TO ORDER

GKT	GN	0J	0R1	M	00500110	020	000	B	R
Series	Sub Series	Rated Voltage	Capacitance	Capacitance Tolerance	Dimension	Pitch/Pins	Lead Length	Packing	Pb
		1.	2.	3.	4.	5.	6.	7.	8.

NOTE:**1. Rated Voltage**

Code	0J	1A	1C	1D	1E	1V	1G	1H	1J	1K
Voltage	6.3V	10V	16V	20V	25V	35V	40V	50V	63V	80V

Code	2A	2B	2C	2K	2D	2E	2F	2U	2V	2G	2X	2W	2H	2Y
Voltage	100V	120V	160V	180V	200V	250V	315V	330V	350V	400V	420V	450V	500V	550V

2. Capacitance

Code	0R1	R22	R33	R47	010	2R2	3R3	4R7	100	220	330	470	101
Capacitance (µF)	0.1	0.22	0.33	0.47	1	2.2	3.3	4.7	10	22	33	47	100

Code	221	271	331	391	471	561	681	102	222	332	472	103	223
Capacitance (µF)	220	270	330	390	470	560	680	1000	2200	3300	4700	10000	22000

3. Capacitance Tolerance

Code	K	L	M	P	Q	R	T	U	V	H	F
Tolerance	±10%	±15%	±20%	+100-0%	+30-10%	+20-0%	+50-10%	+75-10%	+20-10%	+20-5%	+30-0

4. Dimension

Code	00500110	00630120	01300200	01600300	03500450
Dimension (mm)	5x11	6.3x12	13x20	16x30	35x45

5. Pitch/Pins

Code	020	025	035	050	075	100	127	4pins
Pitch (mm)/ Pins	2.0	2.5	3.5	5.0	7.5	10.0	12.7	4PS

6. Lead Length

Code	000	040	045	050
Lead Length	Standard	4.0	4.5	5.0

7. Packing

Code	A	B
Packing	Ammo	Bulk

8. Pb

Code	L	R
Pb	Leaded	RoHS

Note: Specifications are subject to change without notice.

Kingtronics® International CompanyWebsite: www.kingtronics.comEmail: info@kingtronics.com

Tel: (852) 8106 7033

Fax: (852) 8106 7099