

Kingtronics®

GKT-AQ

Aluminum Electrolytic Capacitor – Axial

FEATURES

- ◆ Low Dissipation Factor
- ◆ Specially produced for Cross-Over Networks with high fidelity audio system
- ◆ High-quality crossover non-polar aluminum electrolytic capacitors
- ◆ Product mainly used: audio converters and dividers (partials), Audio amp, automotive electronics products, speaker.



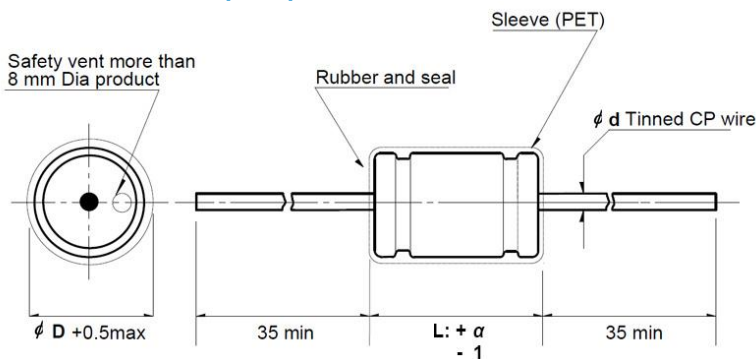
SPECIFICATIONS

Operating Temperature Range (°C)	-40°C~ 105°C
Capacitance Tolerance	±10% (K) at 1KHZ
Voltage Range	50V, 100V
Leakage Current	MAX. 0.03CV + 3µA After 5 minutes application of rated working voltage
Load Life	After 1,000 hours application of rated voltage at 105 ±2°C, capacitors meet the characteristics requirement listed at right. (a) Capacitance change: Within ±25% of initial (b) Tan δ: 200% or less of initial specified (c) Leakage current : Install specified value or less
MAX Dissipation Factor	MAX 10% at 120Hz

Note 1 : For more DF 3%, 4%, 5%, 6%, 7%, 8%, 9%, 12%, please contact us.

Note 2 : The sleeve (PET) color of the product will have slight color difference due to different batches.

DIMENSIONS (mm)



LEAD DIAMETER

ϕD	6	8	10	13	16	18	22	25
ϕd	0.6	0.6	0.6	0.6	0.8	0.8	0.8	0.8
α	0.8	0.8	1.5	2.0	2.0	2.0	2.0	2.0

DIMENSIONS: Diameter (DØ) x Length (L) mm

V.DC	50V	100V	V.DC	50V	100V
µF	ØDxL	ØDxL	µF	ØDxL	ØDxL
47	10x19	13x27	350	16x38	18x44
68	13x27	13x32	400	16x42	22x44
82	13x27	13x32	500	16x42	22x44
100	13x27	16x34	600	16x42	25x52
150	13x32	16x34	700	18x44	25x52
220	13x32	16x42	800	18x44	25x52
250	13x32	16x42	900	18x44	25x52
300	16x34	18x44	1000	22x44	25x52
330	16x34	18x44	--	--	--

Kingtronics® International Company

Website: www.kingtronics.com Email: info@kingtronics.com Tel: (852) 8106 7033 Fax: (852) 8106 7099

Kingtronics®

GKT-AQ

Aluminum Electrolytic Capacitor – Axial

HOW TO ORDER

<u>GKT</u>	<u>AQ</u>	<u>0J</u>	<u>0R1</u>	<u>M</u>	<u>00500110</u>	<u>000</u>	<u>B</u>	<u>R</u>
Series	Sub Series	Rated Voltage	Capacitance	Capacitance Tolerance	Dimension	Lead Length	Packing	Pb
		1.	2.	3.	4.	5.	6.	7.

NOTE:

1. Rated Voltage

Code	0J	1A	1C	1D	1E	1V	1G	1H	1J	1K
Voltage	6.3V	10V	16V	20V	25V	35V	40V	50V	63V	80V

Code	2A	2B	2C	2K	2D	2E	2F	2U	2V	2G	2X	2W	2H	2Y
Voltage	100V	120V	160V	180V	200V	250V	315V	330V	350V	400V	420V	450V	500V	550V

2. Capacitance

Code	0R1	R22	R33	R47	010	2R2	3R3	4R7	100	220	330	470	101
Capacitance (μF)	0.1	0.22	0.33	0.47	1	2.2	3.3	4.7	10	22	33	47	100

Code	221	271	331	391	471	561	681	102	222	332	472	103	223
Capacitance (μF)	220	270	330	390	470	560	680	1000	2200	3300	4700	10000	22000

3. Capacitance Tolerance

Code	K	M
Tolerance	±10%	±20%

4. Dimension

Code	00500110	00630120	01300200	01600300
Dimension (mm)	5x11	6.3x12	13x20	16x30

5. Lead Length

Code	000
Lead Length	Standard

6. Packing

Code	B	T
Packing	Bulk	Tape & Reel

7. Pb

Code	L	R
Pb	Leaded	RoHS

Note: Specifications are subject to change without notice.

Kingtronics® International Company

Website: www.kingtronics.com

Email: info@kingtronics.com

Tel: (852) 8106 7033

Fax: (852) 8106 7099