

**Kingtronics**®**FKT-MS****METALLIZED POLYESTER FILM CAPACITOR – STACKED****FEATURES**

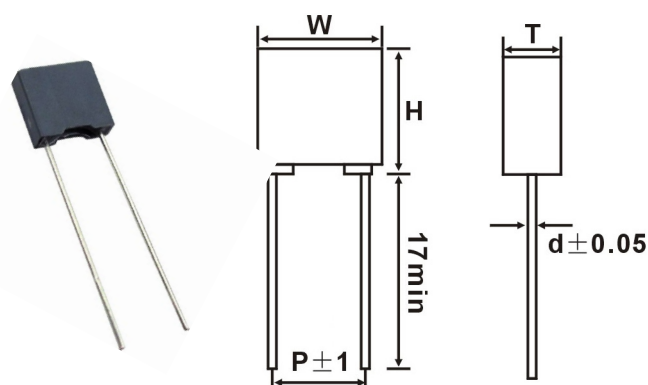
- ◆ High dv / dt ability and small size due to stacked construction

**SPECIFICATIONS**

Reference Standard	GB7332 (IEC 60384-2)		
Climatic Category	55/100/56		
Rated Temperature	85°C		
Operating Temperature Range	-55°C~105°C (+85°C to +105°C: decreasing factor 1.25% per °C for VR (DC))		
Rated Voltage	63V, 100V, 250V, 400V, 500V, 630V		
Capacitance Range	0.0010μF ~ 1.5μF		
Capacitance Tolerance	±5%(J), ±10%(K), ±20%(M)		
Voltage Proof	Type A: 1.6U <sub>R</sub> (5s) ; Type B: 1.4U <sub>R</sub> (5s)		
Dissipation Factor	Frequency	C <sub>R</sub> ≤ 0.1μF	C <sub>R</sub> > 0.1μF
	1kHz	≤1.0%	≤1.0%
	10kHz	≤1.5%	≤1.5%
	100kHz	≤3.0%	--
Insulation Resistance	U <sub>R</sub> > 100V	≥30 000MΩ, C <sub>R</sub> ≤ 0.33μF (20°C, 100V, 1min)	
	U <sub>R</sub> ≤ 100V	≥15 000MΩ, C <sub>R</sub> ≤ 0.33μF ≥5 000s, C <sub>R</sub> > 0.33μF	(20°C, 10V, 1min)
If the working voltage (U) is lower than the rated voltage (U <sub>R</sub> ), the capacitor can be worked at a higher dv / dt. In this case, the maximum allowed dv / dt is obtain by multiplying the right value with U <sub>R</sub> / U	U <sub>R</sub> (V)	dv / dt (V / μs)	
		Type A	Type B
	63	250	75
	100	300	85
	250	400	100
	400	600	150
	500	700	200
630	800	200	

**Dimensions (mm)**

(Capacitor Thickness)T	≅ 3.5	> 3.5
(Lead Wire Diz.)d±0.05	0.5	0.6
(Dimension Tolerance: W, H, T)	±0.2	±0.4

**Outline Drawing****Kingtronics**® International CompanyWebsite: [www.kingtronics.com](http://www.kingtronics.com)Email: [info@kingtronics.com](mailto:info@kingtronics.com)

Tel: (852) 8106 7033

Fax: (852) 8106 7099

# Kingtronics®

## FKT-MS

### METALLIZED POLYESTER FILM CAPACITOR – STACKED

#### Type A (P:5mm)

(uF)	63VDC			100VDC			250VDC			400VDC			500VDC			630VDC		
	W	H	T	W	H	T	W	H	T	W	H	T	W	H	T	W	H	T
0.0010	7.2	6.5	2.5	7.2	6.5	2.5	7.2	6.5	2.5	7.2	6.5	2.5	7.2	6.5	2.5	7.2	6.5	2.5
0.0012	7.2	6.5	2.5	7.2	6.5	2.5	7.2	6.5	2.5	7.2	6.5	2.5	7.2	6.5	2.5	7.2	6.5	2.5
0.0015	7.2	6.5	2.5	7.2	6.5	2.5	7.2	6.5	2.5	7.2	6.5	2.5	7.2	6.5	2.5	7.2	6.5	2.5
0.0018	7.2	6.5	2.5	7.2	6.5	2.5	7.2	6.5	2.5	7.2	6.5	2.5	7.2	6.5	2.5	7.2	7.5	3.5
0.0022	7.2	6.5	2.5	7.2	6.5	2.5	7.2	6.5	2.5	7.2	6.5	2.5	7.2	6.5	2.5	7.2	7.5	3.5
0.0027	7.2	6.5	2.5	7.2	6.5	2.5	7.2	6.5	2.5	7.2	6.5	2.5	7.2	6.5	2.5	7.2	7.5	3.5
0.0033	7.2	6.5	2.5	7.2	6.5	2.5	7.2	6.5	2.5	7.2	6.5	2.5	7.2	7.5	3.5	7.2	7.5	3.5
0.0039	7.2	6.5	2.5	7.2	6.5	2.5	7.2	6.5	2.5	7.2	6.5	2.5	7.2	7.5	3.5	7.2	7.5	3.5
0.0047	7.2	6.5	2.5	7.2	6.5	2.5	7.2	6.5	2.5	7.2	6.5	2.5	7.2	7.5	3.5	7.2	9.5	4.5
0.0056	7.2	6.5	2.5	7.2	6.5	2.5	7.2	6.5	2.5	7.2	7.5	3.5	7.2	7.5	3.5	7.2	9.5	4.5
0.0062	--	--	--	7.2	6.5	2.5	--	--	--	--	--	--	--	--	--	--	--	--
0.0068	7.2	6.5	2.5	7.2	6.5	2.5	7.2	6.5	2.5	7.2	7.5	3.5	7.2	9.5	4.5	7.2	9.5	4.5
0.0082	7.2	6.5	2.5	7.2	6.5	2.5	7.2	6.5	2.5	7.2	7.5	3.5	7.2	9.5	4.5	7.2	9.5	4.5
0.010	7.2	6.5	2.5	7.2	6.5	2.5	7.2	6.5	2.5	7.2	7.5	3.5	7.2	9.5	4.5	7.2	10.0	5.0
0.012	7.2	6.5	2.5	7.2	6.5	2.5	7.2	6.5	2.5	7.2	9.5	4.5	7.2	9.5	4.5	7.2	11.0	6.0
0.015	7.2	6.5	2.5	7.2	6.5	2.5	7.2	6.5	2.5	7.2	9.5	4.5	7.2	10.0	5.0	7.2	11.0	6.0
0.018	7.2	6.5	2.5	7.2	6.5	2.5	7.2	6.5	2.5	7.2	9.5	4.5	7.2	11.0	6.0	7.2	11.0	6.0
0.022	7.2	6.5	2.5	7.2	6.5	2.5	7.2	7.5	3.5	7.2	10.0	5.0	7.2	11.0	6.0	--	--	--
0.027	7.2	6.5	2.5	7.2	6.5	2.5	7.2	7.5	3.5	7.2	11.0	6.0	7.2	11.0	6.0	--	--	--
0.033	7.2	6.5	2.5	7.2	6.5	2.5	7.2	7.5	3.5	7.2	11.0	6.0	--	--	--	--	--	--
0.039	7.2	6.5	2.5	7.2	6.5	2.5	7.2	7.5	3.5	7.2	11.0	6.0	--	--	--	--	--	--
0.047	7.2	6.5	2.5	7.2	6.5	2.5	7.2	9.5	4.5	7.2	11.0	6.0	--	--	--	--	--	--
0.056	7.2	6.5	2.5	7.2	6.5	2.5	7.2	9.5	4.5	7.2	11.0	6.0	--	--	--	--	--	--
0.068	7.2	6.5	2.5	7.2	6.5	2.5	7.2	9.5	4.5	--	--	--	--	--	--	--	--	--
0.082	7.2	6.5	2.5	7.2	6.5	2.5	7.2	10.0	5.0	--	--	--	--	--	--	--	--	--
0.10	7.2	6.5	2.5	7.2	7.5	3.5	7.2	10.0	5.0	--	--	--	--	--	--	--	--	--
0.12	7.2	6.5	2.5	7.2	9.5	4.5	7.2	11.0	6.0	--	--	--	--	--	--	--	--	--
0.15	7.2	7.5	3.5	7.2	9.5	4.5	7.2	11.0	6.0	--	--	--	--	--	--	--	--	--
0.18	7.2	7.5	3.5	7.2	9.5	4.5	--	--	--	--	--	--	--	--	--	--	--	--
0.22	7.2	7.5	3.5	7.2	10.0	5.0	--	--	--	--	--	--	--	--	--	--	--	--
0.27	7.2	9.5	4.5	7.2	10.0	5.0	--	--	--	--	--	--	--	--	--	--	--	--
0.33	7.2	9.5	4.5	7.2	11.0	6.0	--	--	--	--	--	--	--	--	--	--	--	--
0.39	7.2	9.5	4.5	7.2	11.0	6.0	--	--	--	--	--	--	--	--	--	--	--	--
0.47	7.2	10.0	5.0	7.2	11.0	6.0	--	--	--	--	--	--	--	--	--	--	--	--
0.56	7.2	10.0	5.0	7.2	11.0	6.0	--	--	--	--	--	--	--	--	--	--	--	--
0.68	7.2	11.0	6.0	--	--	--	--	--	--	--	--	--	--	--	--	--	--	--
0.82	7.2	11.0	6.0	--	--	--	--	--	--	--	--	--	--	--	--	--	--	--
1.0	7.2	11.0	6.0	--	--	--	--	--	--	--	--	--	--	--	--	--	--	--

**Kingtronics® International Company**

Website: [www.kingtronics.com](http://www.kingtronics.com)    Email: [info@kingtronics.com](mailto:info@kingtronics.com)    Tel: (852) 8106 7033    Fax: (852) 8106 7099

# Kingtronics®

## FKT-MS

METALLIZED POLYESTER FILM CAPACITOR – STACKED

### Type B (P:5mm)

(uF)	63VDC			100VDC			(uF)	250VDC)			400VDC			630VDC		
	W	H	T	W	H	T		W	H	T	W	H	T	W	H	T
0.10	--	--	--	7.2	6.5	2.5	0.0033	--	--	--	--	--	--	7.2	6.5	2.5
0.12	--	--	--	7.2	6.5	2.5	0.0039	--	--	--	--	--	--	7.2	6.5	2.5
0.15	7.2	6.5	2.5	7.2	7.5	3.5	0.0047	--	--	--	--	--	--	7.2	6.5	2.5
0.18	7.2	6.5	2.5	7.2	7.5	3.5	0.0056	--	--	--	7.2	6.5	2.5	7.2	7.5	3.5
0.22	7.2	6.5	2.5	7.2	7.5	3.5	0.0068	--	--	--	7.2	6.5	2.5	7.2	7.5	3.5
0.27	7.2	6.5	2.5	7.2	9.5	4.5	0.0082	--	--	--	7.2	6.5	2.5	7.2	7.5	3.5
0.33	7.2	7.5	3.5	7.2	9.5	4.5	0.01	--	--	--	7.2	6.5	2.5	7.2	7.5	3.5
0.39	7.2	7.5	3.5	7.2	9.5	4.5	0.012	--	--	--	7.2	6.5	2.5	7.2	9.5	4.5
0.47	7.2	7.5	3.5	7.2	10.0	5.0	0.015	--	--	--	7.2	7.5	3.5	7.2	9.5	4.5
0.56	7.2	9.5	4.5	7.2	10.0	5.0	0.018	--	--	--	7.2	7.5	3.5	7.2	9.5	4.5
0.68	7.2	9.5	4.5	7.2	11.0	6.0	0.022	7.2	6.5	2.5	7.2	7.5	3.5	7.2	10.0	5.0
0.82	7.2	9.5	4.5	7.2	11.0	6.0	0.027	7.2	6.5	2.5	7.2	7.5	3.5	7.2	11.0	6.0
1.0	7.2	10.0	5.0	7.2	11.0	6.0	0.033	7.2	6.5	2.5	7.2	9.5	4.5	7.2	11.0	6.0
1.5	7.2	11.0	6.0	--	--	--	0.039	7.2	7.5	3.5	7.2	9.5	4.5	--	--	--
2.2	7.2	11.0	6.0	--	--	--	0.047	7.2	7.5	3.5	7.2	9.5	4.5	--	--	--
							0.056	7.2	7.5	3.5	7.2	11.0	6.0	--	--	--
							0.068	7.2	7.5	3.5	7.2	11.0	6.0	--	--	--
							0.082	7.2	9.5	4.5	7.2	11.0	6.0	--	--	--
							0.1	7.2	9.5	4.5	7.2	11.0	6.0	--	--	--
							0.12	7.2	9.5	4.5	--	--	--	--	--	--
							0.15	7.2	10.0	5.0	--	--	--	--	--	--
							0.18	7.2	11.0	6.0	--	--	--	--	--	--
							0.22	7.2	11.0	6.0	--	--	--	--	--	--

**Kingtronics® International Company**

# Kingtronics®

## FKT-MS

### METALLIZED POLYESTER FILM CAPACITOR – STACKED

## HOW TO ORDER

FKT	MS	2A	103	K	050	000	B	R
Series	Sub Series	Voltage	Capacitance	Capacitance Tolerance	Pitch	Lead Length	Packing	Pb
		<u>1.</u>	<u>2.</u>	<u>3.</u>	<u>4.</u>	<u>5.</u>	<u>6.</u>	<u>7.</u>

### NOTE:

#### 1. Voltage

Code	1H	1J	2A	2C	2D	2E	2G	2J	3A	3C	3D	3F
Voltage	50V	63V	100V	160V	200V	250V	400V	630V	1000V	1600V	2000V	3000V
Code	E2	P2	Q1	Q2	Q3	G2						
Voltage	250 VAC	275 VAC	300 VAC	305 VAC	310 VAC	400 VAC						

#### 2. Capacitance

Code	102	103	104	105	106	222	223	224	225
Capacitance	1000pF	0.01μF	0.1μF	1μF	10μF	2200pF	0.022μF	0.22μF	2.2μF
Code	332	333	334	472	473	474	682	683	684
Capacitance	3300pF	0.033μF	0.33μF	4700pF	0.047μF	0.47μF	6800pF	0.068μF	0.68μF

#### 3. Capacitance Tolerance

Code	J	K	M
Tolerance	±5%	±10%	±20%

#### 4. Pitch

Code	050
Pitch (mm)	5.0

#### 5. Lead Length

Code	000	035	040	045	050
Lead Length	Standard	3.5	4.0	4.5	5.0

#### 6. Packing

Code	A	B
Packing	Ammo	Bulk

#### 7. Pb

Code	R
Pb	RoHS

Note: Specifications are subject to change without notice.

**Kingtronics® International Company**

Website: [www.kingtronics.com](http://www.kingtronics.com)

Email: [info@kingtronics.com](mailto:info@kingtronics.com)

Tel: (852) 8106 7033

Fax: (852) 8106 7099