

# Kingtronics®

## FKT-CBB65 Motor Capacitor CBB65

### FEATURES

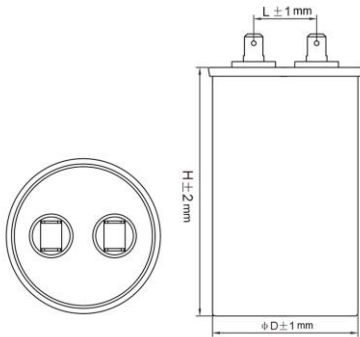
- ◆ Low D.F. (dissipation factor), good self-healing character
- ◆ High I.R. (insulation resistance)
- ◆ High safety & high reliability
- ◆ Anti-Striking current, strong over-carrier capacity



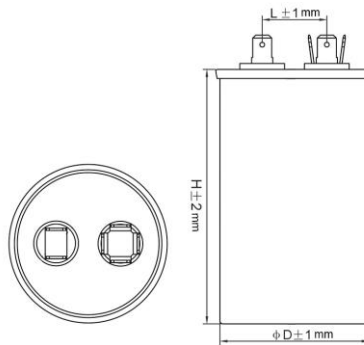
SPECIFICATIONS	
Operating Condition	-40°C ~ +85°C
Capacitance Range	2uF~100uF(FKT-22~26)
Capacitance Tolerance	J(±5%) · K(±10%)
Rated Voltage	370V 450V (AC)
Dissipation Factor	≤0.004 100Hz(FKT-22~26)
Withstand Voltage Between Terminals	2Un, 2s
Withstand Voltage Between Terminal And Case	2.2KV, 2s

### DRAWING:

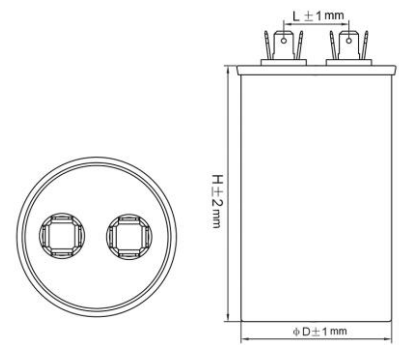
FKT-22



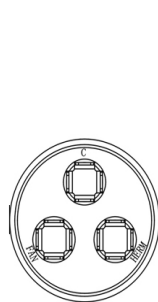
FKT-23



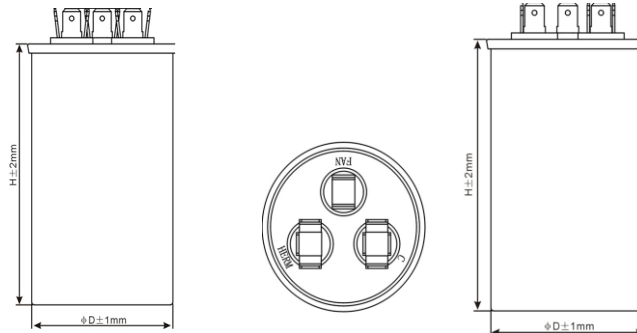
FKT-24



FKT-25



FKT-26



Note: Specifications are subject to change without notice. For more detail and update, please visit our website

**Kingtronics® International Company**

Website: [www.kingtronics.com](http://www.kingtronics.com) Email: [info@kingtronics.com](mailto:info@kingtronics.com) Tel: (852) 8106 7033 Fax: (852) 8106 7099

# Kingtronics® FKT-CBB65

## Motor Capacitor CBB65

### Dimensions For Motor Running Capacitors CBB65

(mm)

CAP uF	FKT-22, FKT-23, FKT-24				CAP uF	FKT-25, FKT-26	
	370VAC		450VAC			450VAC	
	D	H	D	H		D	H
1	40	55	40	55	20+1.5	50	85
1.5	40	55	40	55	20+5	50	85
2	40	55	40	55	25+1.5	50	95
2.5	40	55	40	55	25+3	50	95
3	40	55	40	55	25+5	50	95
3.5	40	55	40	55	30+2	50	95
4	40	55	40	55	30+5	50	95
4.5	40	55	40	55	30+7.5	50	100
5	40	55	40	55	35+2	50	100
6	40	55	40	55	35+5	50	110
7	--	--	40	65	40+5	50	120
7.5	40	55	40	65	40+7.5	50	125
8	40	55	40	65	45+5	50	120
10	40	65	40	75	45+7.5	50	125
12	40	75	40	75	50+5	50	130
12.5	40	75	40	75	50+7.5	55	125
14	40	75	45	75	55+5	55	120
15	40	75	45	75	55+6	55	120
16	45	75	45	75	55+7.5	55	125
17	45	75	45	75	60+5	60	120
17.5	45	75	45	75	60+6	60	120
18	45	75	50	75	60+7.5	60	125
20	45	75	50	75	65+5	60	120
25	45	75	50	85	70+5	60	120
30	50	85	50	100	80+5	60	130
35	50	100	50	100			
40	50	100	50	110			
45	50	110	55	110			
50	50	100	55	110			
55	50	125	55	125			
60	55	125	55	125			
65	55	125	60	125			
70	55	125	60	125			
80	60	125	65	125			
100	65	125	65	125			

Note: Specifications are subject to change without notice. For more detail and update, please visit our website

**Kingtronics® International Company**

Website: [www.kingtronics.com](http://www.kingtronics.com) Email: [info@kingtronics.com](mailto:info@kingtronics.com) Tel: (852) 8106 7033 Fax: (852) 8106 7099

# Kingtronics®

## FKT-CBB65

### Motor Capacitor CBB65

#### HOW TO ORDER

<u>FKT</u>	<u>22</u>	<u>S2</u>	<u>105</u>	<u>K</u>	<u>000</u>	<u>000</u>	<u>B</u>	<u>R</u>
Series	Sub Series	Voltage	Capacitance	Capacitance Tolerance	Pitch	Lead Length	Packing	Pb
		1.	2.	3.	4.	5.	6.	7.

#### NOTE:

##### 1. Voltage

Code	S2
Voltage	450 VAC

##### 2. Capacitance

Code	105	125	205	305	505	605	805
Capacitance	1 $\mu$ F	1.2 $\mu$ F	2 $\mu$ F	3 $\mu$ F	5 $\mu$ F	6 $\mu$ F	8 $\mu$ F
Code	106	126	156	166	186	206	107
Capacitance	10 $\mu$ F	12 $\mu$ F	15 $\mu$ F	16 $\mu$ F	18 $\mu$ F	20 $\mu$ F	100 $\mu$ F

##### 3. Capacitance Tolerance

Code	J	K
Tolerance	$\pm$ 5%	$\pm$ 10%

##### 4. Pitch

Code	000
Pitch (mm)	Standard

##### 5. Lead Length

Code	000
Lead Length	Standard

##### 6. Packing

Code	B
Packing	Bulk

##### 7. Pb

Code	R
Pb	RoHS

Note: Specifications are subject to change without notice.

**Kingtronics® International Company**

Website: [www.kingtronics.com](http://www.kingtronics.com) Email: [info@kingtronics.com](mailto:info@kingtronics.com) Tel: (852) 8106 7033 Fax: (852) 8106 7099