

Kingtronics®

DKT-DY

Combined Type Super Capacitor

FEATURES

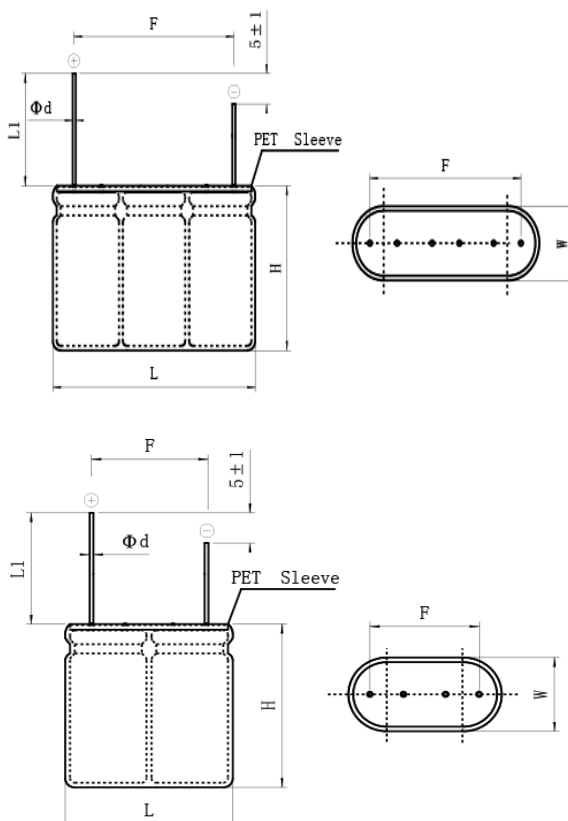
- ◆ Low leakage current
- ◆ Standard energy type
- ◆ Pb-free and RoHS compliant



SPECIFICATIONS

Series name	DKT-DY Series Combined Type	
Type name	DKT-DY 5R0	DKT-DY 7R5
Rated voltage V_R	5.0V	7.5V
Surge voltage	5.4V	7.9V
Capacity range	0.1F~5F	0.1F~3.3F
Operating temperature range	-25~ +70°C	
Product life	Normal temperature cycle life : 25°C, 1 million cycles between V_R and $1/2V_R$, Capacity attenuation $\leq 30\%$, ESR change ≤ 4 times. High temperature endurance life : Maximum temperature retention $V_R \cdot 1000$ hours. Capacity attenuation $\leq 30\%$, ESR change ≤ 4 times.	

DIMENSIONS (mm)



Kingtronics® International Company

Kingtronics®**DKT-DY**

Combined Type Super Capacitor

STANDARD RATINGS

Nominal Voltage (V)	Capacity (F)	ESR mΩ		Product size (mm)					
		DC	AC 1kHz	L±0.5	W±0.5	H±2	F±0.5	d±0.05	L1±0.5
5	0.1	3600	2400	11	6	13	7	0.5	27
5	0.1	3600	2400	13	7	14	9	0.5	27
5	0.22	3000	2000	11	6	13	7	0.5	27
5	0.22	3000	2000	13	7	14	9	0.5	27
5	0.33	2700	1800	17	9	15	12	0.6	29
5	0.47	2100	1400	13	7	14	9	0.6	29
5	0.47	2100	1400	17	9	15	12	0.5	27
5	1	900	600	17	9	15	12	0.6	29
5	1	900	600	17	9	21	12	0.6	29
5	1	900	600	21	10	21	15	0.6	29
5	1.5	750	500	21	10	21	15	0.6	29
5	1.5	900	600	17	9	21	12	0.6	29
5	2	420	280	26	13	22	18	0.6	27
5	2	480	320	21	10	21	15	0.6	29
5	2.5	390	260	21	10	21	15	0.6	29
5	2.5	390	260	26	13	22	18	0.6	27
5	3	390	260	21	10	21	15	0.6	29
5	3	390	260	26	13	22	18	0.6	27
5	4	360	240	26	13	22	18	0.6	27
5	5	300	200	26	13	27	18	0.6	29
7.5	0.1	4500	3000	19.5	7	14	10	0.5	27
7.5	0.33	2700	1800	25	9	15	13.5	0.6	29
7.5	0.7	1350	900	25	9	21	13.5	0.6	29
7.5	1	1350	900	25	9	21	13.5	0.6	29
7.5	1.5	585	390	31	10	21	16	0.6	27
7.5	1.5	630	420	39	13	22	21	0.6	29
7.5	2	585	390	31	10	21	16	0.6	29
7.5	3.3	450	300	39	13	27	21	0.6	29

Kingtronics® International Company

Kingtronics®**DKT-DY**

Combined Type Super Capacitor

HOW TO ORDER

DKT	DY	2R7	104	M	00500120	020	000	R	B	R
Series	Sub Series	Voltage	Capacity	Capacity Tolerance	Dimension	Pitch/Pins	Lead Length	Terminal Options	Packing	Pb
		1.	2.	3.	4.	5.	6.	7.	8.	9.

NOTE:**1. Voltage**

Code	2R7	3R0
Voltage	2.7	3.0

2. Capacity

Code	104	105	106	107	108
Capacitance (F)	0.1	1.0	10	100	1000

3. Capacity Tolerance

Code	M	V	F
Tolerance	±20%	-10%~+20%	0%~+30%

4. Dimension

Code	00500120	00630125	01000200	01250210	01600260	05101080
Dimension (mm)	5x12	6.3x12.5	10x20	12.5x21	16x26	51x108

5. Pitch/Pins/Screw

Code	016	020	025	035	050	075	100	127	218	282	4PS
Pitch (mm)/Pins	1.6	2.0	2.5	3.5	5.0	7.5	10.0	12.7	21.8	28.2	4pins

Code	000
Pitch (mm)	Screw

6. Lead Length

Code	000	040	045	050
Lead Length	Standard	4.0	4.5	5.0

7. Terminal Options

Code	R	S	W
Terminal Options	Radial	Snap-in	Screw

8. Packing

Code	A	B
Packing	Ammo	Bulk

9. Pb

Code	L	R
Pb	Leaded	RoHS

Note: Specifications are subject to change without notice.

Kingtronics® International Company