

Kingtronics®

DKT-DM

Combined Type Super Capacitor

FEATURES

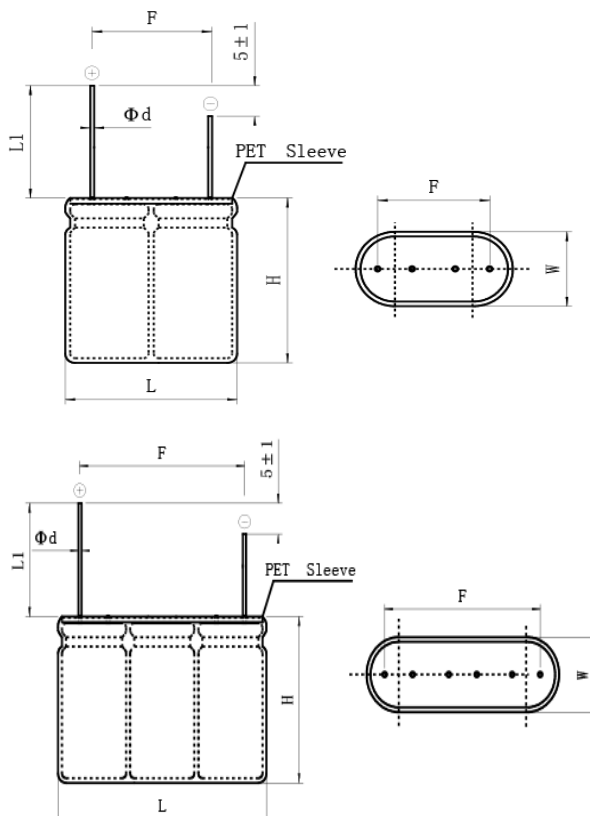
- ◆ Low internal resistance
- ◆ Standard power type
- ◆ Pb-free and RoHS compliant



SPECIFICATIONS

Series name	DKT-DM Series Low internal resistance Type	
Type name	DKT-DM 5R5	DKT-DM 7R5
Rated voltage V_R	5.5V	7.5V
Surge voltage	5.8V	7.9V
Capacity range	0.1F~5F	0.1F~3.3F
Operating temperature range	-40~ +70°C	
Product life	Normal temperature cycle life : 25°C, 1 million cycles between V_R and $1/2V_R$, Capacity attenuation $\leq 30\%$, ESR change ≤ 4 times. High temperature endurance life : Maximum temperature retention $V_R \cdot 1000$ hours. Capacity attenuation $\leq 30\%$, ESR change ≤ 4 times.	

DIMENSIONS (mm)



Kingtronics® International Company

Kingtronics®**DKT-DM**

Combined Type Super Capacitor

STANDARD RATINGS

Nominal Voltage (V)	Capacity (F)	ESR mΩ		Product size (mm)					
		DC	AC 1kHz	L+/-0.5	W+/-0.5	H+/-2	F+/-0.5	d+/-0.05	L1+/-0.5
5.5	0.1	1500	1000	11	6	13	7	0.5	27
5.5	0.1	1500	1000	13	7	14	9	0.5	27
5.5	0.22	1500	1000	13	7	14	9	0.5	27
5.5	0.33	1200	800	17	9	15	12	0.6	29
5.5	0.47	900	600	13	7	14	9	0.6	29
5.5	0.47	900	600	17	9	15	12	0.5	27
5.5	1	280	420	17	9	21	12	0.6	29
5.5	1	280	420	21	10	21	15	0.6	29
5.5	1.5	240	160	21	10	21	15	0.6	29
5.5	1.5	300	200	17	9	21	12	0.6	29
5.5	2	180	120	21	10	21	15	0.6	27
5.5	2	210	140	26	13	22	18	0.6	29
5.5	2.5	210	140	21	10	21	15	0.6	29
5.5	3	210	140	26	13	22	18	0.6	27
5.5	4	150	100	26	13	22	18	0.6	27
5.5	5	150	100	26	13	27	18	0.6	29
5.5	8	90	60	33	17	23	24	0.8	29
5.5	8	90	60	33	17	28	24	0.8	29
5.5	10	75	50	33	17	28	24	0.8	29
5.5	15	75	50	33	17	35	24	0.8	29
5.5	25	60	40	37	19	43	26	0.8	29
5.5	30	45	30	37	19	43	26	0.8	29
7.5	0.1	1800	1200	19.5	7	14	10	0.5	27
7.5	0.33	900	600	25	9	15	13.5	0.6	29
7.5	0.7	630	420	25	9	21	13.5	0.6	29
7.5	1	360	240	31	11	18	16	0.6	29
7.5	1	450	300	25	9	21	13.5	0.6	29
7.5	1.5	315	210	31	10	21	16	0.6	29
7.5	1.5	315	210	39	13	22	21	0.6	27
7.5	2	315	210	39	13	22	21	0.6	27
7.5	2.5	225	150	39	13	22	21	0.6	27
7.5	3.3	225	150	39	13	27	21	0.6	29
7.5	5	135	90	49	17	28	25.5	0.8	29

Kingtronics® International CompanyWebsite: www.kingtronics.comEmail: info@kingtronics.com

Tel: (852) 8106 7033

Fax: (852) 8106 7099

Kingtronics®**DKT-DM**

Combined Type Super Capacitor

HOW TO ORDER

DKT	DM	2R7	104	M	00500120	020	000	R	B	R
Series	Sub Series	Voltage	Capacity	Capacity Tolerance	Dimension	Pitch/Pins	Lead Length	Terminal Options	Packing	Pb
		1.	2.	3.	4.	5.	6.	7.	8.	9.

NOTE:**1. Voltage**

Code	2R7	3R0
Voltage	2.7	3.0

2. Capacity

Code	104	105	106	107	108
Capacitance (F)	0.1	1.0	10	100	1000

3. Capacity Tolerance

Code	M	V	F
Tolerance	±20%	-10%~+20%	0%~+30%

4. Dimension

Code	00500120	00630125	01000200	01250210	01600260	05101080
Dimension (mm)	5x12	6.3x12.5	10x20	12.5x21	16x26	51x108

5. Pitch/Pins/Screw

Code	016	020	025	035	050	075	100	127	218	282	4PS
Pitch (mm)/Pins	1.6	2.0	2.5	3.5	5.0	7.5	10.0	12.7	21.8	28.2	4pins

Code	000
Pitch (mm)	Screw

6. Lead Length

Code	000	040	045	050
Lead Length	Standard	4.0	4.5	5.0

7. Terminal Options

Code	R	S	W
Terminal Options	Radial	Snap-in	Screw

8. Packing

Code	A	B
Packing	Ammo	Bulk

9. Pb

Code	L	R
Pb	Leaded	RoHS

Note: Specifications are subject to change without notice.

Kingtronics® International Company