

Kingtronics®

1N4148WS

Silicon Epitaxial Planar Switching Diode

FEATURES

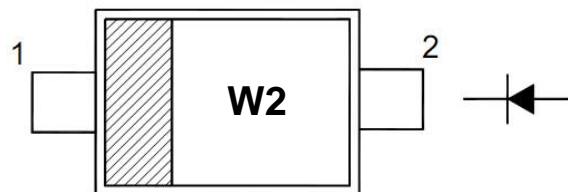
SC-76 package

Fast switching

These diodes are also available in other case style including the DO-35 case with the type designation 1N4148, the Mini MELF case with the type designation LL4148 and the Micro MELF case with the type designation MCL4148.

PINNING

PIN	DESCRIPTION
1	Cathode
2	Anode



Top View
Marking Code: "W2"
Simplified outline SC-76 and symbol

Absolute Maximum Ratings (Ta = 25°C)

PARAMETER	SYMBOL	VALUE	UNIT
Peak Reverse Voltage	V _{RM}	100	V
Reverse Voltage	V _R	75	V
Average Rectified Forward Current	I _{F (AV)}	150	mA
Surge Forward Current	I _{FSM}	2 1	A
Power Dissipation	P _{tot}	200	mW
Thermal Resistance from Junction to Ambient Air	R _{θJA}	625	°C/W
Junction Temperature	T _j	150	°C
Storage Temperature Range	T _{stg}	- 65 to + 150	°C

Characteristics at Ta = 25°C

PARAMETER	SYMBOL	Min.	Max.	UNIT
Reverse Breakdown Voltage at I _R = 1 μA	V _{(BR)R}	75	-	V
Forward Voltage	V _F	-	0.715	V
at I _F = 1 mA		-	0.855	
at I _F = 10 mA		-	1	
at I _F = 50 mA		-	1.25	
Peak Reverse Current	I _R	-	1	μA
at V _R = 75 V		-	25	nA
at V _R = 20 V		-	50	μA
at V _R = 75 V, T _j = 150°C		-	30	μA
at V _R = 25 V, T _j = 150°C				
Total Capacitance at V _R = 0 V, f = 1 MHz	C _T	-	2	pF
Reverse Recovery Time at I _{rr} = 0.1 X I _R , I _F = I _R = 10 mA, R _L = 100 Ω	t _{rr}	-	4	ns

Kingtronics® International Company

Website: www.kingtronics.com Email: info@kingtronics.com Tel: (852) 8106 7033 Fax: (852) 8106 7099

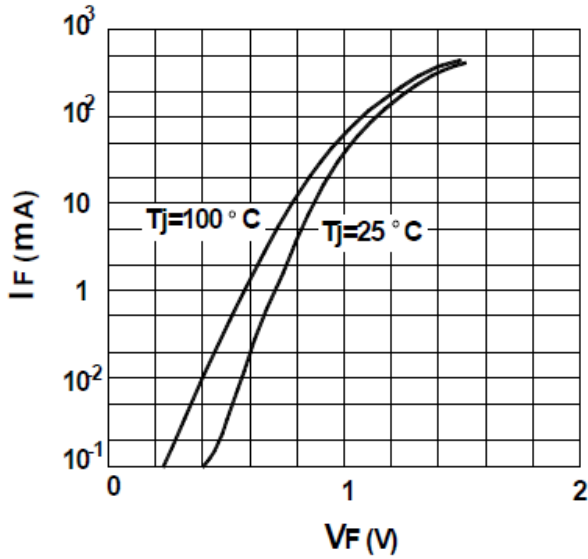
Kingtronics®

1N4148WS

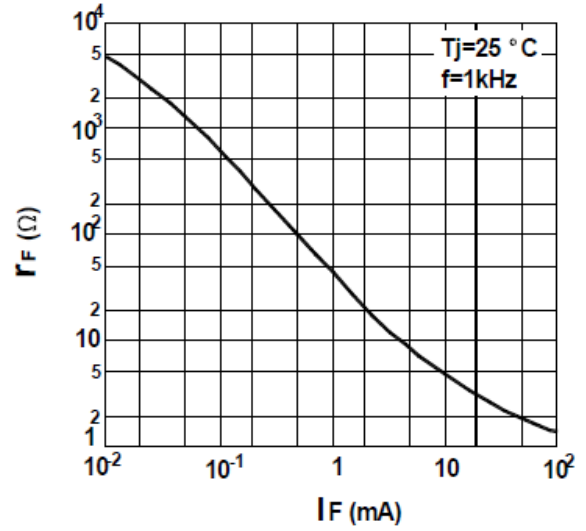
Silicon Epitaxial Planar
Switching Diode

RATINGS AND CHARACTERISTIC CURVES 1N4148WS

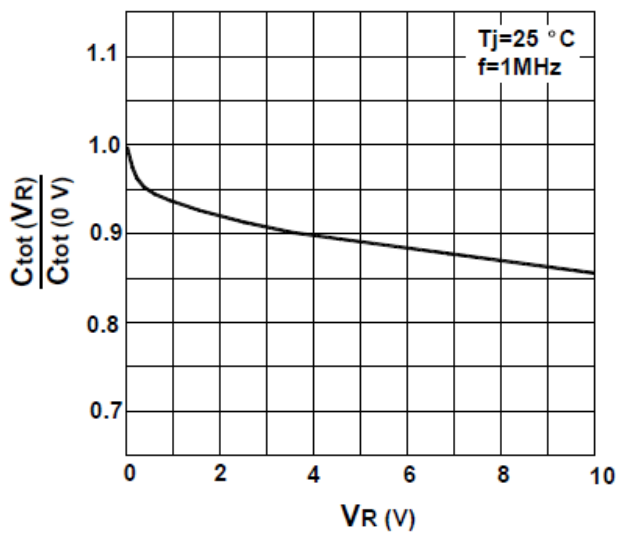
Forward characteristics



Dynamic forward resistance vs. forward current



Reverse capacitance vs. reverse voltage



Kingtronics® International Company

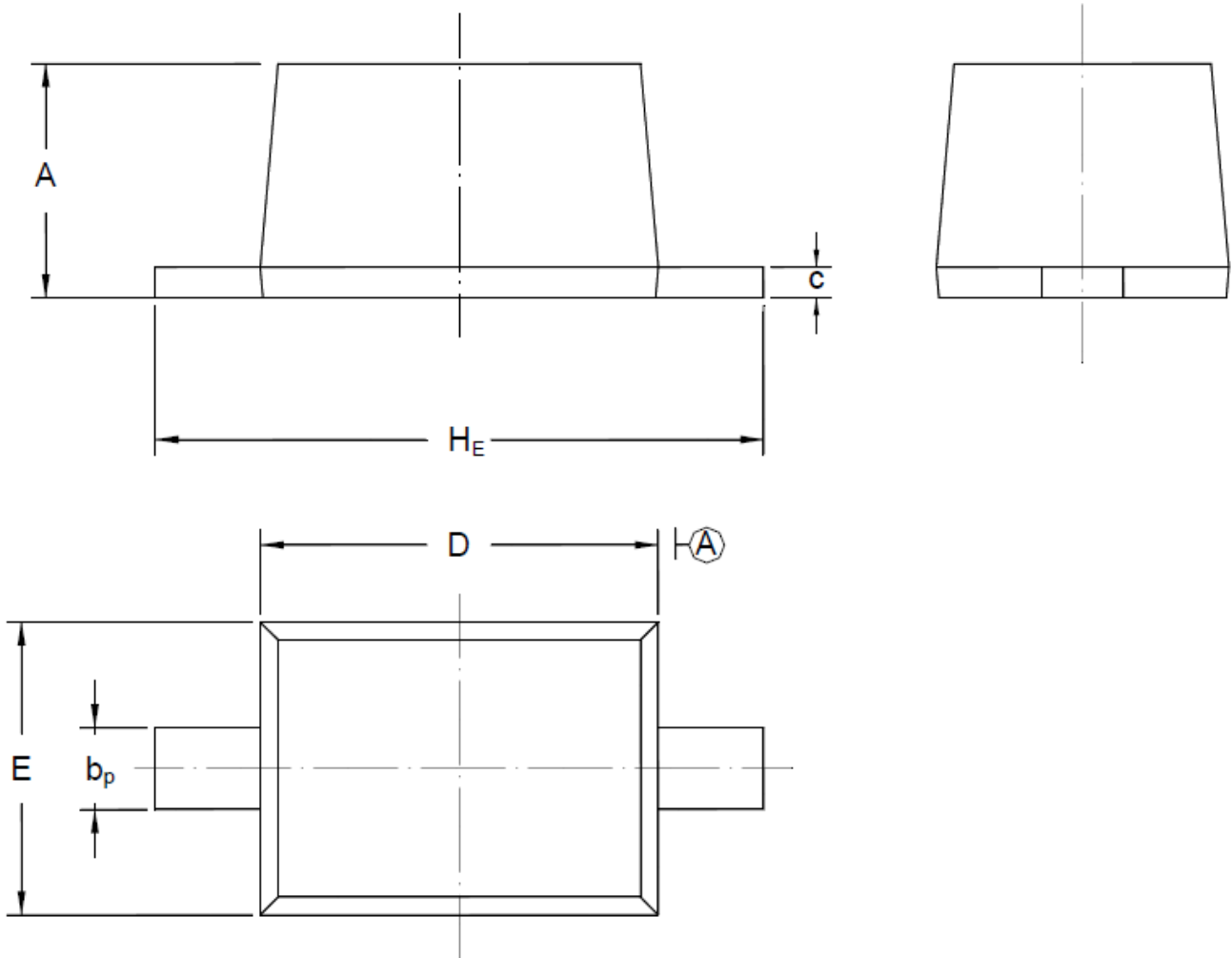
Kingtronics®

1N4148WS

Silicon Epitaxial Planar
Switching Diode

SC-76 PACKAGE OUTLINE

Plastic surface mounted package; 2 leads



UNIT	A	b _p	C	D	E	H _E
mm	1.10 0.80	0.40 0.25	0.15 0.10	1.80 1.60	1.35 1.15	2.80 2.30

Note: Specifications are subject to change without notice.

Kingtronics® International Company

Website: www.kingtronics.com Email: info@kingtronics.com Tel: (852) 8106 7033 Fax: (852) 8106 7099