

Kingtronics®

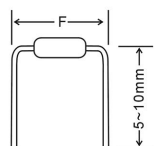
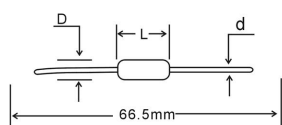
AKT

Axial MLCC Ceramic Capacitor



Operating Temperature	NPO	X7R	Y5V
	-55°C~+125°C	-55°C~+125°C	-25°C~+85°C

SIZE CODE CAPACITANCE AND VOLTAGE

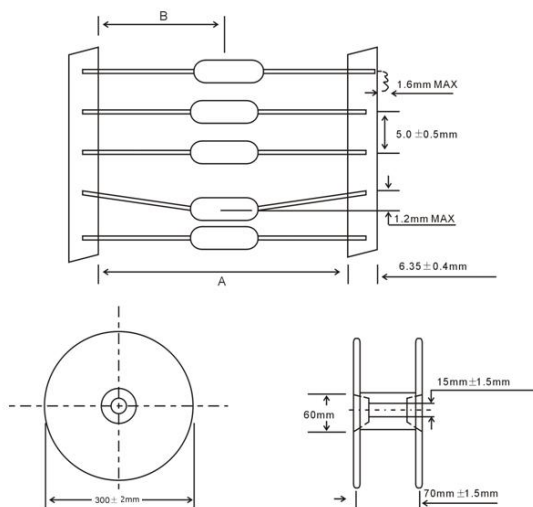


Size Code	L max	D max	F (±0.6)		D (±0.05)	Voltage	COG (NPO)	X7R	Y5V (Z5U)
15	3.8	2.5	5.08	10.0	0.45	25V	0R5~102	101~333	222~224
						50V	0R5~821	101~223	222~154
						100V	0R5~561	101~472	
17	4.3	2.5	5.08	10.0	0.45	25V	0R5~332	331~104	103~105
						50V	0R5~222	331~473	103~684
						100V	0R5~102	331~223	
20	5.1	3.0	5.08	10.0	0.45	25V	0R5~472	102~224	103~125
						50V	0R5~392	102~104	103~105
						100V	0R5~152	102~683	

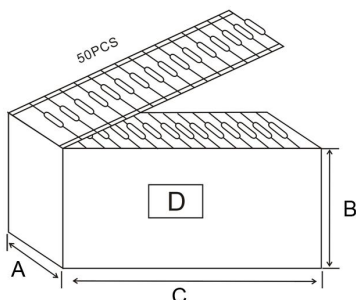
PACKAGING STYLE

Tape and Reel

Tape style	A	B
Tape width: 26mm	26±1.5mm	13±0.76mm
Tape width: 52.4mm	52.4±1.5mm	26.2±0.76mm



Ammo Package



Tape Style	A	B	C	D
52.4mm	81(±5)mm	72(±5)mm	258(±5)mm	Label
56mm	50(±5)mm	110(±5)mm	258(±5)mm	

Kingtronics® International Company

Kingtronics®

AKT

Axial MLCC Ceramic Capacitor

PACKAGING QUANTITY

Size Code	Tape and Reel	Ammo Package	Bulk Package
15	5000	5000	1000
17	5000	5000	1000
20	2500	2500	500

HOW TO ORDER

AKT	---	104	M	17	Y	500	P	26	R
↓		↓	↓	↓	↓	↓	↓	↓	↓
A		B	C	D	E	F	G	H	I

A:

Product Type
TYPE
I DIELECTRIC AXIAL
II DIELECTRIC AXIAL
LEADS

B:

Capacitance	
104	10x10 ⁴
5R6	5.6

C:

Tolerance	
B	±10pF
C	±0.25pF
D	±0.5pF
F	±1.0%
G	±2.0%
J	±5.0%
K	±10%
M	±20%
N	±30%
S	+50% -20%
Z	+80% -20%
P	+100% -0%

D:

Unit : Inches

Corpus Length	
15	0.15
17	0.17
20	0.20

E:

Temperature Characteristics			
N	NPO	0±30ppm/°C	(-55~+125°C)
B	X7R	±15%	(-55~+125°C)
Y(F)	Y5V	+30 -80 %	(-25~+85°C)
E	Z5U	+22 -56 %	(-10~+85°C)

B.C.D For C<10pF
 NPO:B.C.D.F.G..J.K.
 M
 X7R:K.M.S.Z
 Y5V/Z5U:M.S.Z.P

F:

Rated Voltage	
250	25V
500	50V
101	100V

G:

Package Style		
T	Tape & Reel	
P	Ammo	
F	(mm) Pitch	
Bulk	F2	5.08
	F3	7.5
	F4	10

H:

Tape Style	
26	Tape Width: 26mm

I:

Pb	
R	RoHS

Note: Specifications are subject to change without notice.

Kingtronics® International Company

Website: www.kingtronics.com Email: info@kingtronics.com Tel: (852) 8106 7033 Fax: (852) 8106 7099