

# Kingtronics®

# RKT-3309

## Trimming Potentiometers

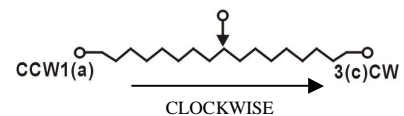
### FEATURES

- Single Turn/ Cermet/ Industrial
- 2 Terminal Styles

### PICTURE



WIPER 2(d)



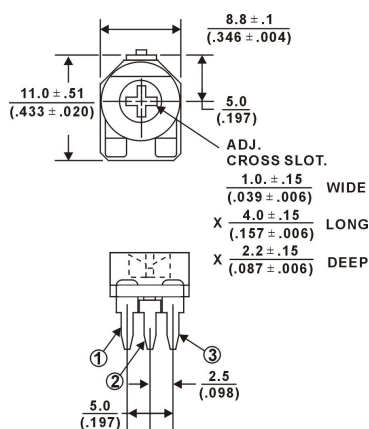
Tolerance is 0.25 if no identification

### Electrical Characteristics

Standard Resistance Range	10Ω - 2MΩ
Resistance Tolerance	% std
Absolute Minimum Resistance	1% max (≤2K=30Ω)
Contact Resistance Variation	3% max
Resistance	Essentially infinite
Adjustment Angle	235 nom

### Common Dimensions

#### RKT-3309P-2



### Resistance Table

Resistance(Ohms)	Resistance Code
10	100
20	200
50	500
100	101
200	201
500	501
1,000	102
2,000	202
5,000	502
10,000	103
20,000	203
25,000	253
50,000	503
100,000	104
200,000	204
250,000	254
500,000	504
1,000,000	105
2,000,000	205

Special resistances are available.

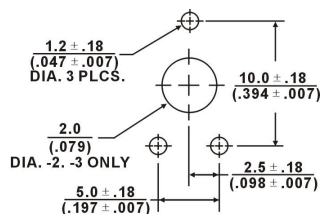
### Environmental Characteristics

Power Rating (50VCD max)	70 , 0.5W
Temperature Range	-30 ~ +100
Temperature Coefficient	±250ppm/
Load Life	1,000 hours 0.5W @70 (3% ΔTR)

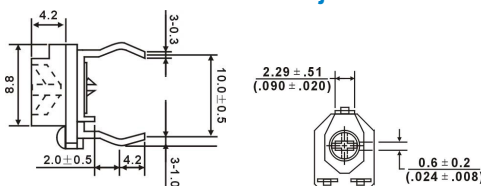
### Physical Characteristics

Mechanical Angle	260°±10°
Toque(Operating)	4.0oz-in.max
Stop Strength	7.0oz-in.max
Terminals	Solderable pins
Marking	Manufacturer's Trademark, resistance code, date code
Standard packaging	200pcs. Per bag
Adjustment Tool	H-90
Aqueous cleaning not recommended	

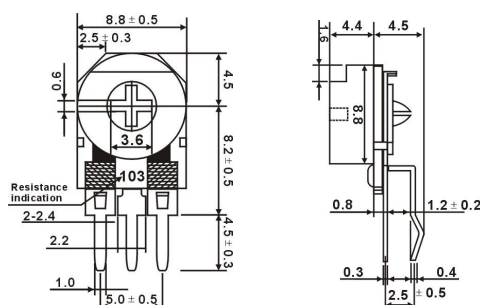
### SUGGESTED PCB LAYOUT – RKT-3309P-2



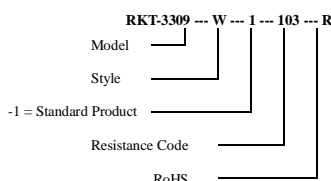
### RKT-3309P-2 Both Sides Adjust/Cross Slot



### Side Adjust RKT-3309W-1 Single Side (Front) Adjust



### How to Order



Note: Specifications are subject to change without notice.