

# Kingtronics®

## DKT-DA

### Coin Type Super Capacitor

#### FEATURES

- ◆ Standard coin-type
- ◆ Small-sized, large capacity

#### APPLICATIONS

- ◆ RAM, Detonator, car recorder, smart meter, vacuum switch, digital camera, motor drive, clock circuit, UPS, toy, program-controlled switch, etc.

V Type



C Type



H Type

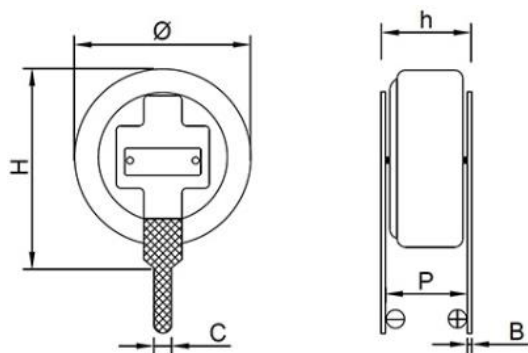


#### SPECIFICATIONS

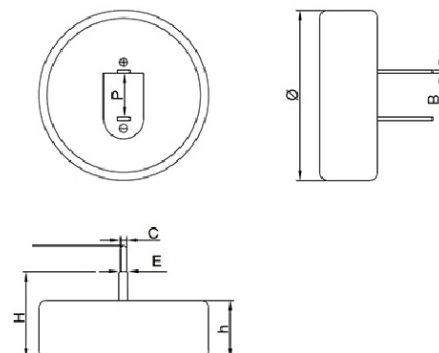
Series name	DKT-DA Series
Type name	DKT-DA
Rated voltage $V_R$	5.5V
Surge voltage	5.8V
Capacity range	0.1F~1.5F
Operating temperature range	-25~ +70°C
Product life	Normal temperature cycle life : 25°C, 500,000 cycles between $V_R$ and $1/2V_R$ , Capacity attenuation $\leq 30\%$ , ESR change $\leq 4$ times. High temperature endurance life : 70°C, maintain $V_R$ , 1000 hours. Capacity attenuation $\leq 30\%$ , ESR change $\leq 4$ times.

#### DIMENSIONS (mm)

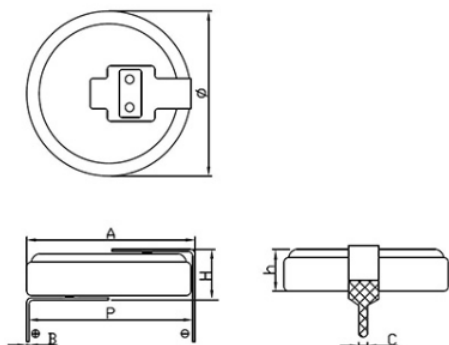
V Type



C Type



H Type



**Kingtronics® International Company**

**Kingtronics**®**DKT-DA**  
Coin Type Super Capacitor**STANDARD RATINGS**

Model	Terminal shaped	Capacity F	ESRΩ		Product size (+/-0.5mm)							
			DC	AC 1kHz	Φ	H	h	P	A	E	B	C
DKT-DA5R5C104□050R	C	0.1	100	50	13.0	9.9	7.0	5.0	--	1.2	0.5	0.8
DKT-DA5R5H104□100R	H	0.1	100	50	11.5	5.49	4.5	10.0	12.0	--	0.2	0.8
DKT-DA5R5V104□050R	V	0.1	100	50	11.5	13.15	5.0	5.0	--	--	0.2	0.8
DKT-DA5R5C224□050R	C	0.22	80	40	13.0	9.9	7.0	5.0	--	1.2	0.5	0.8
DKT-DA5R5H224□100R	H	0.22	80	40	11.5	5.49	5.0	10.0	12.0	--	0.2	0.8
DKT-DA5R5V224□050R	V	0.22	80	50	11.5	13.15	5.0	5.0	--	--	0.2	0.8
DKT-DA5R5C334□050R	C	0.33	80	40	13.0	9.9	7.0	5.0	--	1.2	0.5	0.8
DKT-DA5R5H334□100R	H	0.33	80	40	11.5	5.49	5.0	10.0	12.0	--	0.2	0.8
DKT-DA5R5V334□050R	V	0.33	80	40	11.5	13.15	5.0	5.0	--	--	0.2	0.8
DKT-DA5R5C474□050R	C	0.47	80	40	20.5	9.9	7.0	5.0	--	1.2	0.5	0.8
DKT-DA5R5H474□100R	H	0.47	80	40	11.5	5.49	5.0	10.0	12.0	--	0.2	0.8
DKT-DA5R5V474□050R	V	0.47	80	40	11.5	13.15	5.0	5.0	--	--	0.2	0.8
DKT-DA5R5C105□050R	C	1	30	15	20.5	9.9	7.0	5.0	--	1.2	0.5	0.8
DKT-DA5R5H105□190R	H	1	30	15	19.0	5.62	5.0	19.0	19.5	--	0.2	1.0
DKT-DA5R5V105□045R	V	1	30	15	19.0	19.31	5.0	4.5	--	--	0.2	1.0
DKT-DA5R5C155□050R	C	1.5	20	10	20.5	9.9	7.0	5.0	--	1.2	0.5	0.8
DKT-DA5R5H155□190R	H	1.5	20	10	19.0	5.62	5.0	19.0	19.5	--	0.2	1.0
DKT-DA5R5V155□045R	V	1.5	20	10	19.0	19.31	5.0	4.5	--	--	0.2	1.0

**Kingtronics**® International CompanyWebsite: [www.kingtronics.com](http://www.kingtronics.com) Email: [info@kingtronics.com](mailto:info@kingtronics.com) Tel: (852) 8106 7033 Fax: (852) 8106 7099

**Kingtronics**®**DKT-DA**  
Coin Type Super Capacitor**HOW TO ORDER**

<u>DKT</u>	<u>DA</u>	<u>5R5</u>	<u>C</u>	<u>104</u>	<u>F</u>	<u>050</u>	<u>R</u>
<u>Series</u>	<u>Sub Series</u>	<u>Voltage</u>	<u>Type</u>	<u>Capacity</u>	<u>Capacity Tolerance</u>	<u>Pin Distance</u>	<u>Pb</u>
		1.	2.	3.	4.	5.	6.

**NOTE:****1. Voltage**

Code	5R5
Voltage	5.5

**2. Type**

Code	C	H	V
Type	C	H	V

**3. Capacity**

Code	104	224	334	474	684	105	155
Capacity(F)	0.1	0.22	0.33	0.47	0.68	1.0	1.5

**4. Capacity Tolerance**

Code	M	V	F
Tolerance	±20%	+20-10%	+30-0%

**5. Pin Distance**

Code	045	050	100	160	190
Pin Distance	4.5mm	5mm	10mm	16mm	19mm

**6. Pb**

Code	L	R
Pb	Lead	RoHS

Note: Specifications are subject to change without notice.

**Kingtronics**® International CompanyWebsite: [www.kingtronics.com](http://www.kingtronics.com)Email: [info@kingtronics.com](mailto:info@kingtronics.com)

Tel: (852) 8106 7033

Fax: (852) 8106 7099