

Kingtronics®

WKTA1060060E Tact Switches

FEATURES

- ◆ Type: 2 Pin DIP tact switch
- ◆ Operation Life cycles: 60000, 80000, 100000

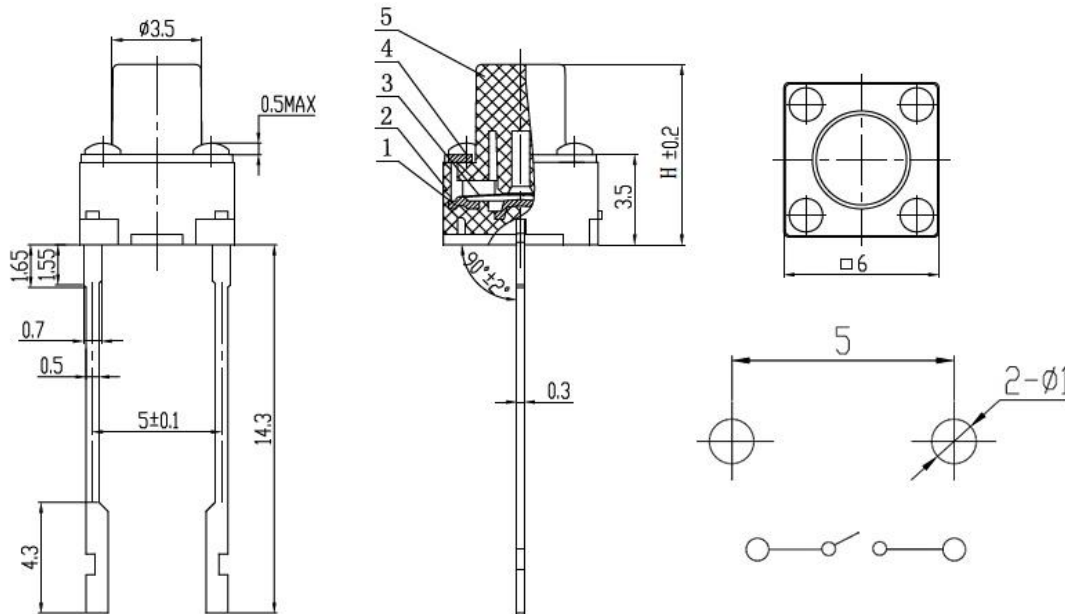


SPECIFICATIONS

Operating Temperature Range	-20°C to +70°C
Rated Current and Voltage	50mA. / 12V DC
Insulation Resistance	≥ 100MΩ
Dielectric Strength	250V AC (50Hz or 60Hz) applied across terminals for one minute.
Contact Resistance	≤ 50mΩ
Full Travel	0.25 ± 0.1mm
Operating Force	1.0 ± 0.3N, 1.6 ± 0.5N, 2.6 ± 0.5N

DRAWING (Unit: mm)

General tolerance : ±0.2mm



Remark: Below H are available on request, please consult with our salesman prior to ordering, thank you.

4.3mm, 5.0mm, 5.5 mm, 6.0 mm, 6.5 mm, 7.0 mm, 7.5 mm, 8.0 mm, 8.5 mm, 9.0 mm

Note: Specifications are subject to change without notice.

Kingtronics® International Company

Kingtronics®**WKTA1060060E**
Tact Switches**HOW TO ORDER**

<u>WKT</u>	<u>A</u>	<u>1</u>	<u>060060</u>	<u>C</u>	<u>043</u>	<u>B</u>	<u>B</u>	<u>R</u>
Series	Sub Series	Internal code	Size	Installation	Height	Operating Force	Packing	Pb
	1.	2	3.	4.	5.	6.	7.	8

NOTE:**1. Sub Series**

Code	A	B	G	R	S	W	Y	Z
Sub Series	DIP	Blue LED	Green LED	Red LED	SMD	White LED	Yellow LED	Waterproof

2. Internal code**3. Size**

Code	020040	030030	035060	045045	050050	060060	072068	120120
Size	2x4	3x3	3.5x6	4.5x4.5	5x5	6x6	7.2x6.8	12x12

4. Installation

Code	A	B	C	D	E	F	G
Installation	DIP	DIP with Ground Terminal	Horizontal with Bracket	SMD	2Pin DIP	Horizontal without Bracket	SMD with Bracket

5. Height

Code	015	016	025	038	043	050
Height	1.5	1.6	2.5	3.8	4.3	5
Code	058	070	090	095	110	125
Height	5.8	7	9	9.5	11	12.5

6. Operating Force

Code	A	B	C	D	E
Operating Force	1.0±0.3	1.6±0.5	2.6±0.5	1.3±0.3	2.0±0.5
Code	H	K	L	M	P
Operating Force	2.2±0.5	5.0±1.0	1.2±0.4	3.5±0.9	2.5±0.3
Code	Q	S	T		
Operating Force	1.6±0.3	1.8±0.5	2.3±0.3		

7. Packing

Code	A	B	T
Packing	Ammo	Bulk	Tape & Reel

8. Pb

Code	R
Pb	RoHS

Note: Specifications are subject to change without notice.

Kingtronics® International CompanyWebsite: www.kingtronics.comEmail: info@kingtronics.com

Tel: (852) 8106 7033

Fax: (852) 8106 7099