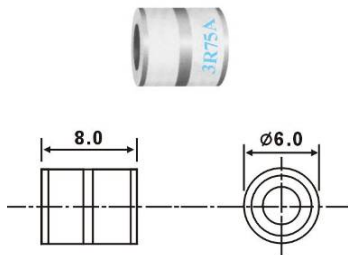




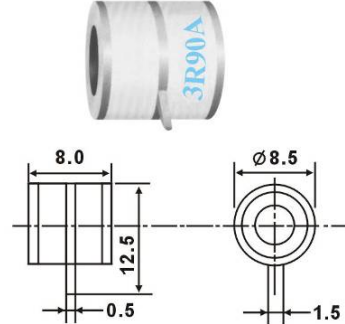
# SKT - Surge Arresters

## 3-Electrode Ceramic Surge Arrester

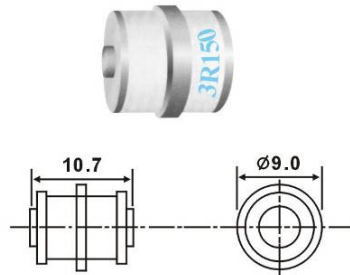
■ COMMON DIMENSIONS



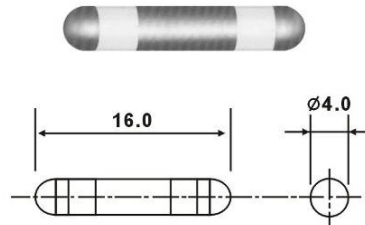
SKT-3R-A Type (  $\Phi$  6x8 )



SKT-3R-B Type (  $\Phi$  8.5x8.5 )



SKT-3R-C Type (  $\Phi$  9x10.7 )



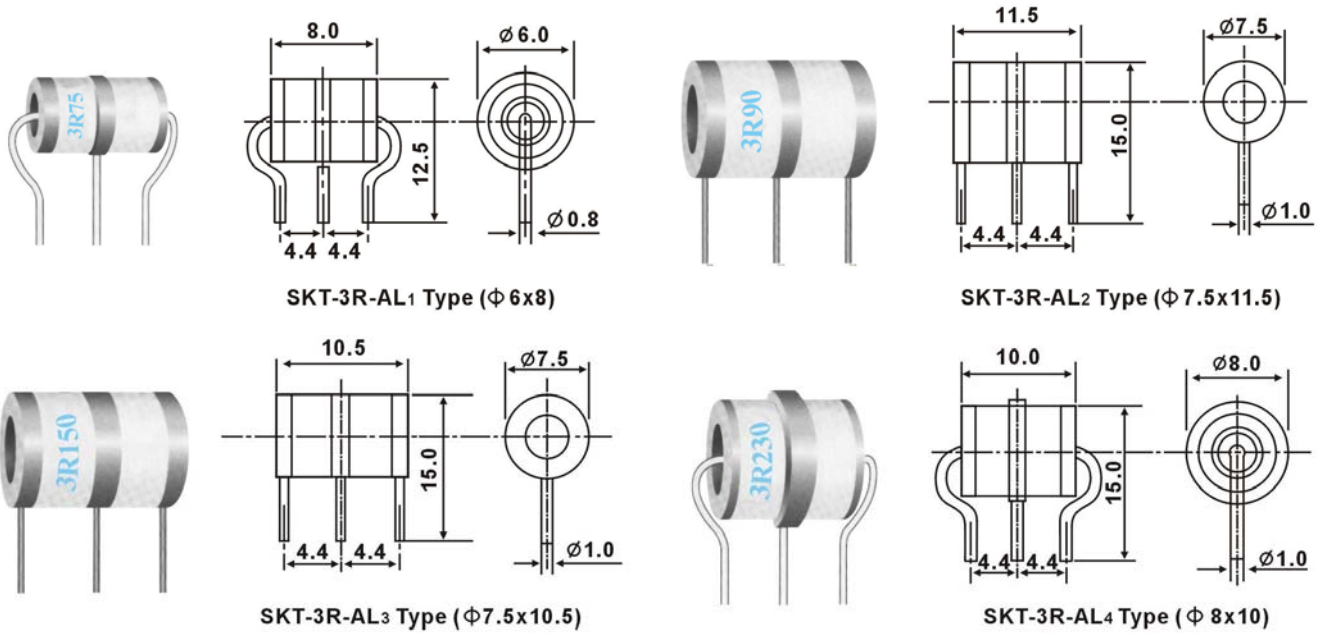
SKT-3R-D Type (  $\Phi$  4x16 )

**Electrical Characteristics**

Type	DC spark-over voltage (100V/s) V	Impulse spark-over voltage (1KV/us) V	Impulse discharge current (10/1000us 300times) A	Impulse discharge current (8/20us 10times) KA	AC discharge current (50Hz 1s 5 times) A	Holdover Voltage V	Insulation resistance $\Omega$	Capacitance pF	Transverse voltage durations
SKT-3R-75A SKT-3R-75B SKT-3R-75C SKT-3R-75D	75±25%	≤600	50	5	5	/	≥10 <sup>10</sup>	<1.5	≤200
SKT-3R-90A SKT-3R-90B SKT-3R-90C SKT-3R-90D	90±25%	≤600	50	5	5	/	≥10 <sup>10</sup>	<1.5	≤200
SKT-3R-105A SKT-3R-105B SKT-3R-150C SKT-3R-150D	150±20%	≤700	100	5	5	80	≥10 <sup>10</sup>	<1	≤200
SKT-3R-230A SKT-3R-230B SKT-3R-230C SKT-3R-230D	230	+30 I	≤800	100	5	80	≥10 <sup>10</sup>	<1	≤200
		-40 II	≤500	/					
SKT-3R-350A SKT-3R-350B SKT-3R-350C SKT-3R-350D	350±20%	I	≤800	100	5	80	≥10 <sup>10</sup>	<1	≤200
		II	≤600	/					
SKT-3R-470A SKT-3R-470B SKT-3R-470C SKT-3R-470D	470±20%	I	≤900	100	5	80	≥10 <sup>10</sup>	<1	≤200
		II	≤700	/					
SKT-3R-600A SKT-3R-600B SKT-3R-600C SKT-3R-600D	600±20%	≤1200	100	5	5	80	≥10 <sup>10</sup>	<1	≤200

Note: Specifications are subject to change without notice.

■ COMMON DIMENSIONS

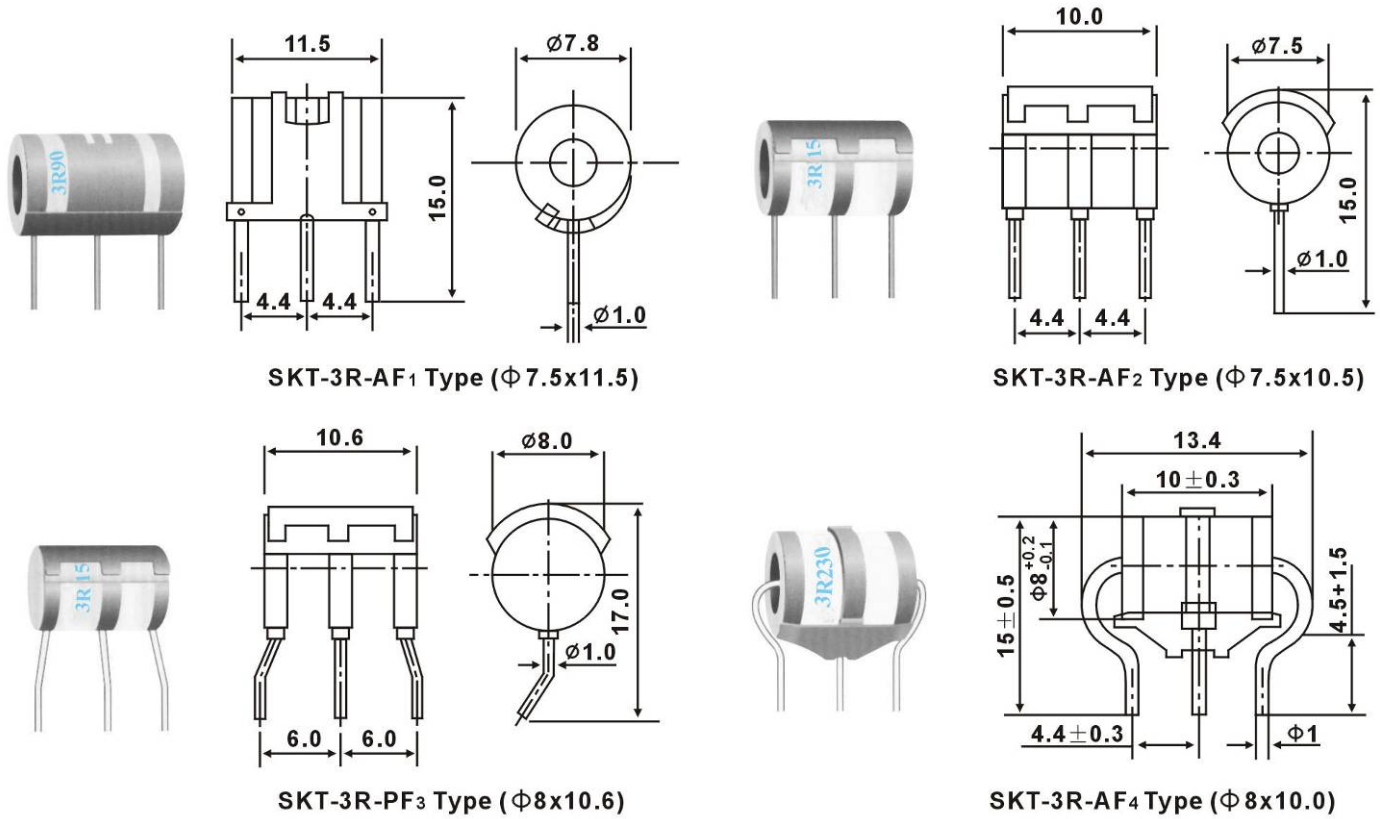


**Electrical Characteristics**

Type	DC spark over voltage (100V/s) V	Impulse spark over voltage (1KV/us) V	Impulse discharge current (10/1000us 300times) A	Impulse discharge current (8/20us 10times) KA	AC discharge current (50Hz 1s 5 times) A	Holdover Voltage V	Insulation resistance Ω	Capacitance pF	Transverse voltage durations
SKT-3R-75AL <sub>1</sub> SKT-3R-75AL <sub>2</sub> SKT-3R-75AL <sub>3</sub> SKT-3R-75AL <sub>4</sub>	75±25%	≤600	50	10	10	/	≥10 <sup>10</sup>	<1.5	≤200
SKT-3R-90AL <sub>1</sub> SKT-3R-90AL <sub>2</sub> SKT-3R-90AL <sub>3</sub> SKT-3R-90AL <sub>4</sub>	90±25%	≤600	50	10	10	/	≥10 <sup>10</sup>	<1.5	≤200
SKT-3R-150AL <sub>1</sub> SKT-3R-150AL <sub>2</sub> SKT-3R-150AL <sub>3</sub> SKT-3R-150AL <sub>4</sub>	150±20%	≤700	100	10	10	80	≥10 <sup>10</sup>	<1	≤200
SKT-3R-230AL <sub>1</sub> SKT-3R-230AL <sub>2</sub> SKT-3R-230AL <sub>3</sub> SKT-3R-230AL <sub>4</sub>	230 <sup>+30</sup> <sub>-40</sub>	I	≤800	100	10	135	≥10 <sup>10</sup>	<1	≤200
		II	≤500	/					
SKT-3R-350AL <sub>1</sub> SKT-3R-350AL <sub>2</sub> SKT-3R-350AL <sub>3</sub> SKT-3R-350AL <sub>4</sub>	350±20%	I	≤800	100	10	135	≥10 <sup>10</sup>	<1	≤200
		II	≤600	/					
SKT-3R-470AL <sub>1</sub> SKT-3R-470AL <sub>2</sub> SKT-3R-470AL <sub>3</sub> SKT-3R-470AL <sub>4</sub>	470±20%	I	≤900	100	10	135	≥10 <sup>10</sup>	<1	≤200
		II	≤700	/					
SKT-3R-600AL <sub>1</sub> SKT-3R-600AL <sub>2</sub> SKT-3R-600AL <sub>3</sub> SKT-3R-600AL <sub>4</sub>	600±20%	≤1200	100	10	10	135	≥10 <sup>10</sup>	<1	≤200

Note: Specifications are subject to change without notice.

■ COMMON DIMENSIONS



SKT-3R-AF<sub>1</sub> Type (Φ 7.5x11.5)

SKT-3R-AF<sub>2</sub> Type (Φ 7.5x10.5)

SKT-3R-PF<sub>3</sub> Type (Φ 8x10.6)

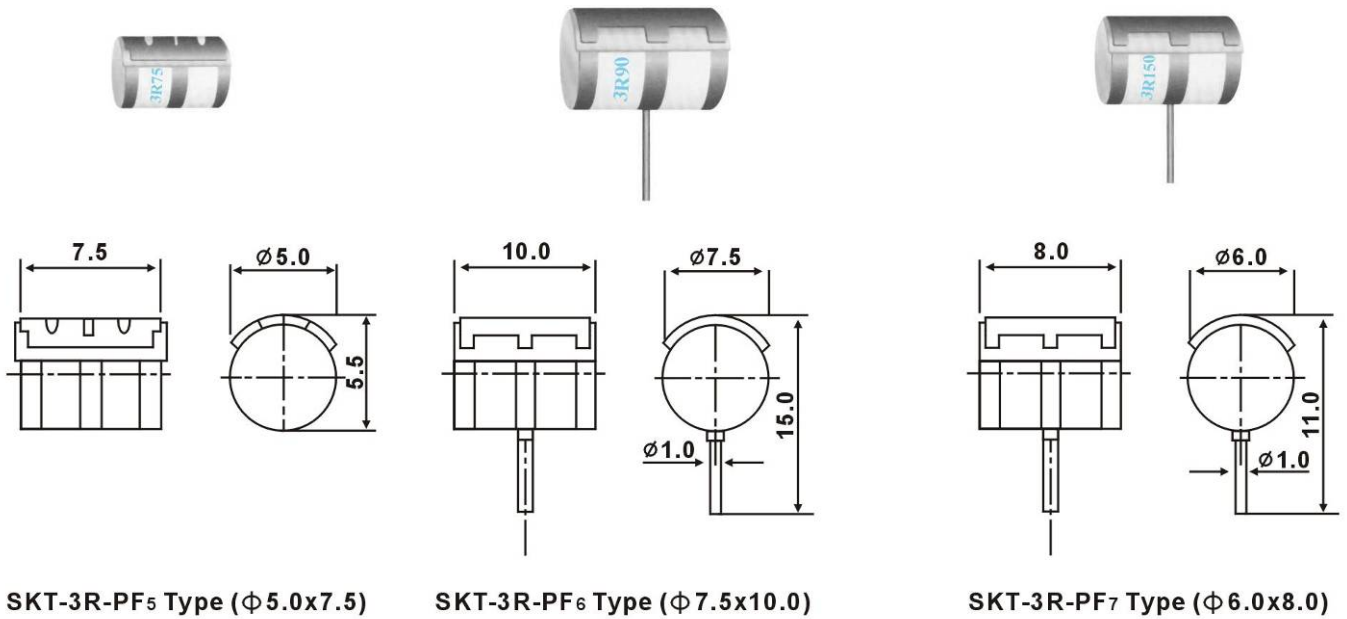
SKT-3R-AF<sub>4</sub> Type (Φ 8x10.0)

**Electrical Characteristics**

Type	DC spark over voltage (100V/s) V	Impulse spark over voltage (1KV/us) V	Impulse discharge current (10/1000us 300times) A	Impulse discharge current (8/20us 10times) KA	AC discharge current (50Hz 1s 5 times) A	Holdover Voltage V	Insulation resistance Ω	Capacitance pF	Transverse voltage durations
SKT-3R-75AF <sub>1</sub> SKT-3R-75AF <sub>2</sub> SKT-3R-75PF <sub>3</sub> SKT-3R-75AF <sub>4</sub>	75±25%	≤600	50	10	10	/	≥10	<1.5	≤200
SKT-3R-90AF <sub>1</sub> SKT-3R-90AF <sub>2</sub> SKT-3R-90PF <sub>3</sub> SKT-3R-90AF <sub>4</sub>	90±25%	≤600	50	10	10	/	≥10	<1.5	≤200
SKT-3R-150AF <sub>1</sub> SKT-3R-150AF <sub>2</sub> SKT-3R-150PF <sub>3</sub> SKT-3R-150AF <sub>4</sub>	150±20%	≤700	100	10	10	80	≥10	<1	≤200
SKT-3R-230AF <sub>1</sub> SKT-3R-230AF <sub>2</sub> SKT-3R-230PF <sub>3</sub> SKT-3R-230AF <sub>4</sub>	230 <sup>+30</sup> <sub>-40</sub>	I	≤800	100	10	135	≥10	<1	≤200
		II	≤500	/					
SKT-3R-350AF <sub>1</sub> SKT-3R-350AF <sub>2</sub> SKT-3R-350PF <sub>3</sub> SKT-3R-350AF <sub>4</sub>	350±20%	I	≤800	100	10	135	≥10	<1	≤200
		II	≤600	/					
SKT-3R-470AF <sub>1</sub> SKT-3R-470AF <sub>2</sub> SKT-3R-470PF <sub>3</sub> SKT-3R-470AF <sub>4</sub>	470±20%	I	≤900	100	10	135	≥10	<1	≤200
		II	≤700	/					
SKT-3R-600AF <sub>1</sub> SKT-3R-600AF <sub>2</sub> SKT-3R-600PF <sub>3</sub> SKT-3R-600AF <sub>4</sub>	600±20%	≤1200	100	10	10	135	≥10	<1	≤200

Note: Specifications are subject to change without notice.

■ COMMON DIMENSIONS



Electrical Characteristics									
Type	DC spark-over voltage (100V/s) V	Impulse spark-over voltage (1KV/us) V	Impulse discharge current (10/1000us 300times) A	Impulse discharge current (8/20us 10times) KA	AC discharge current (50Hz 1s 5 times) A	Holdover Voltage V	Insulation resistance Ω	Capacitance pF	Transverse voltage durations
SKT 3R-75PF <sub>5</sub> SKT 3R-75PF <sub>6</sub> SKT 3R-75PF <sub>7</sub>	75±25%	≤600	50	10	10	/	≥10 <sup>10</sup>	<1.5	≤200
SKT 3R-90PF <sub>5</sub> SKT 3R-90PF <sub>6</sub> SKT 3R-90PF <sub>7</sub>	90±25%	≤600	50	10	10	/	≥10 <sup>10</sup>	<1.5	≤200
SKT 3R-150PF <sub>5</sub> SKT 3R-150PF <sub>6</sub> SKT 3R-150PF <sub>7</sub>	150±20%	≤700	100	10	10	80	≥10 <sup>10</sup>	<1	≤200
SKT 3R-230PF <sub>5</sub> SKT 3R-230PF <sub>6</sub> SKT 3R-230PF <sub>7</sub>	230	+30	I	≤800	100	135	≥10 <sup>10</sup>	<1	≤200
		-40	II	≤500	/				
SKT 3R-350PF <sub>5</sub> SKT 3R-350PF <sub>6</sub> SKT 3R-350PF <sub>7</sub>	350±20%	I	≤800	100	10	135	≥10 <sup>10</sup>	<1	≤200
		II	≤600	/					
SKT 3R-470PF <sub>5</sub> SKT 3R-470PF <sub>6</sub> SKT 3R-470PF <sub>7</sub>	470±20%	I	≤900	100	10	135	≥10 <sup>10</sup>	<1	≤200
		II	≤700	/					
SKT 3R-600PF <sub>5</sub> SKT 3R-600PF <sub>6</sub> SKT 3R-600PF <sub>7</sub>	600±20%	≤1200	100	10	10	135	≥10 <sup>10</sup>	<1	≤200

Note: Specifications are subject to change without notice.