

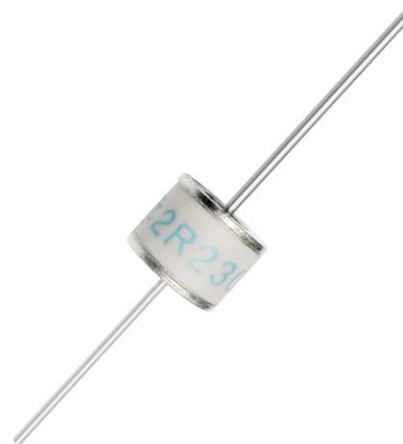
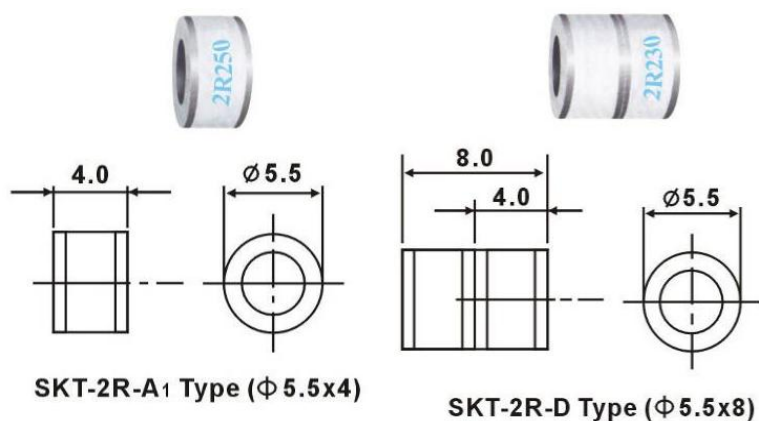
# Kingtronics®

# SKT - Surge Arresters

## 2-Electrode Ceramic Surge Arrester

### COMMON DIMENSIONS

### PICTURE



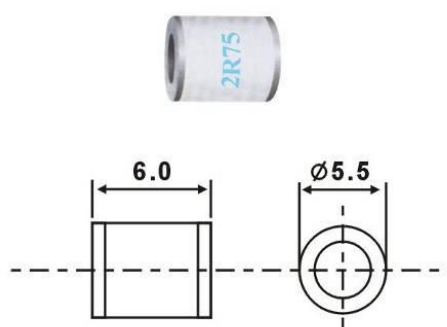
### Electrical Characteristics

Type	DC spark-over voltage (100V/s) V	Impulse spark-over voltage (1KV/us) V	Impulse discharge current (10/1000us 300times)	Impulse discharge current (8/20us 10times)	AC discharge current (50Hz 1s 5 times) A	Holdover Voltage V	Insulation resistance Ω	Capacitance pF
SKT-2R-75A <sub>1</sub> SKT-2R-75D	75±25%	≤600	50	5	5	/	≥10 <sup>10</sup>	<1.5
SKT-2R-90A <sub>1</sub> SKT-2R-90D	90±25%	≤600	50	5	5	/	≥10 <sup>10</sup>	<1.5
SKT-2R-150A <sub>1</sub> SKT-2R-150D	150±20%	≤700	100	5	5	80	≥10 <sup>10</sup>	<1
SKT-2R-230A <sub>1</sub> SKT-2R-230D	230 <sup>+30</sup> -40	≤800	100	5	5	135	≥10 <sup>10</sup>	<1
SKT-2R-250A <sub>1</sub> SKT-2R-250D	250±20%	≤800	100	5	5	135	≥10 <sup>10</sup>	<1
SKT-2R-350A <sub>1</sub> SKT-2R-350D	350±15%	≤800	100	5	5	135	≥10 <sup>10</sup>	<1

Note: Specification are subject to change without notice.

**Kingtronics® International Company**

Website: [www.kingtronics.com](http://www.kingtronics.com) Email: [info@kingtronics.com](mailto:info@kingtronics.com) Tel: (852) 8106 7033 Fax: (852) 8106 7099

**Kingtronics**®**SKT - Surge  
Arresters****COMMON DIMENSIONS****SKT-2R-A2 Type (Φ 5.5x6)****Electrical Characteristics**

Type	DC spark-over voltage (100V/s) V	Impulse spark-over voltage (1KV/us) V	Impulse discharge current (10/1000us 300times) A	Impulse discharge current (8/20us 10times) KA	AC discharge current (50Hz 1s 5 times) A	Holdover Voltage V	Insulation resistance Ω	Capacitance pF
SKT-2R-75A <sub>2</sub>	75±25%	≤600	50	5	5	/	≥10 <sup>10</sup>	<1.5
SKT-2R-90A <sub>2</sub>	90±20%	≤600	50	5	5	/	≥10 <sup>10</sup>	<1.5
SKT-2R-150A <sub>2</sub>	150±20%	≤700	100	5	5	80	≥10 <sup>10</sup>	<1
SKT-2R-230A <sub>2</sub>	230 +30 -40	≤800	100	5	5	135	≥10 <sup>10</sup>	<1
SKT-2R-350A <sub>2</sub>	350±20%	≤800	100	5	5	135	≥10 <sup>10</sup>	<1
SKT-2R-470A <sub>2</sub>	470±20%	≤900	100	5	5	135	≥10 <sup>10</sup>	<1
SKT-2R-600A <sub>2</sub>	600±20%	≤1200	100	5	5	135	≥10 <sup>10</sup>	<1

Note: Specification are subject to change without notice.

**Kingtronics**® International CompanyWebsite: [www.kingtronics.com](http://www.kingtronics.com)Email: [info@kingtronics.com](mailto:info@kingtronics.com)

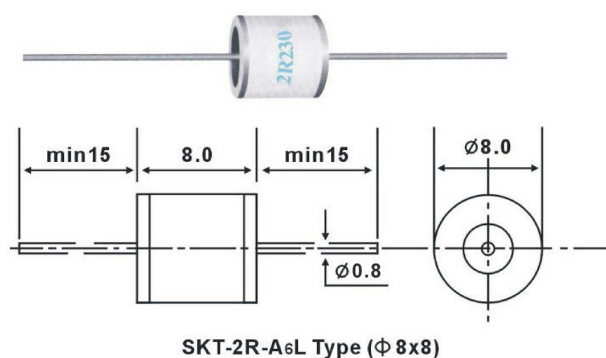
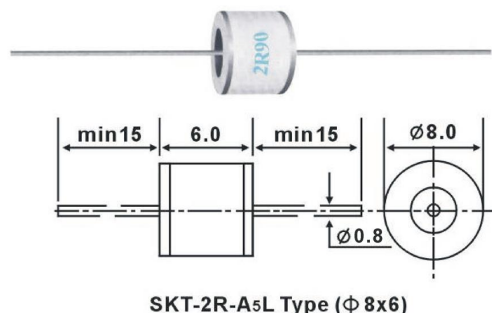
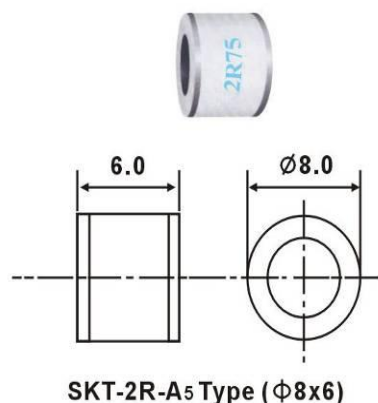
Tel: (852) 8106 7033

Fax: (852) 8106 7099

# Kingtronics®

# SKT - Surge Arresters

## COMMON DIMENSIONS



## Electrical Characteristics

Type	DC spark-over voltage (100V/s) V	Impulse spark-over voltage (1KV/us) V	Impulse discharge current (10/1000us 300times) A	Impulse discharge current (8/20us 10times) KA	AC discharge current (50Hz 1s 5 times) A	Holdover Voltage V	Insulation resistance Ω	Capacitance pF
SKT-2R-75A <sub>5</sub> SKT-2R-75A <sub>5</sub> L SKT-2R-75A <sub>6</sub> L	75±25%	≤600	100	10	10	/	≥10 <sup>10</sup>	<1.5
SKT-2R-90A <sub>5</sub> SKT-2R-90A <sub>5</sub> L SKT-2R-90A <sub>6</sub> L	90±25%	≤600	100	10	10	/	≥10 <sup>10</sup>	<1.5
SKT-2R-150A <sub>5</sub> SKT-2R-150A <sub>5</sub> L SKT-2R-150A <sub>6</sub> L	150±20%	≤700	100	10	10	80	≥10 <sup>10</sup>	<1
SKT-2R-230A <sub>5</sub> SKT-2R-230A <sub>5</sub> L SKT-2R-230A <sub>6</sub> L	230 +30 -40	≤800	100	10	10	135	≥10 <sup>10</sup>	<1
SKT-2R-350A <sub>5</sub> SKT-2R-350A <sub>5</sub> L SKT-2R-350A <sub>6</sub> L	350±20%	≤800	100	10	10	135	≥10 <sup>10</sup>	<1
SKT-2R-470A <sub>5</sub> SKT-2R-470A <sub>5</sub> L SKT-2R-470A <sub>6</sub> L	470±20%	≤900	100	10	10	135	≥10 <sup>10</sup>	<1
SKT-2R-600A <sub>5</sub> SKT-2R-600A <sub>5</sub> L SKT-2R-600A <sub>6</sub> L	600±20%	≤1200	100	10	10	135	≥10 <sup>10</sup>	<1
SKT-2R-800A <sub>5</sub> SKT-2R-800A <sub>5</sub> L SKT-2R-800A <sub>6</sub> L	800±20%	≤1400	100	10	10	135	≥10 <sup>10</sup>	<1

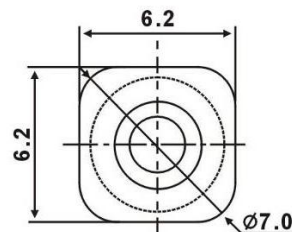
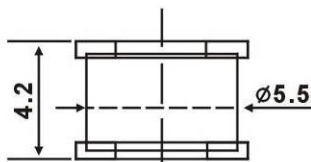
Note: Specification are subject to change without notice.

**Kingtronics® International Company**

# Kingtronics®

# SKT - Surge Arresters

## COMMON DIMENSIONS



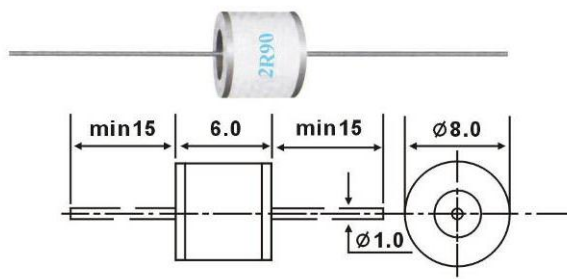
SKT-2R-K Type (Φ 6.2x6.2x4.2)

## Electrical Characteristics

Type	DC spark-over voltage (100V/s) V	Impulse spark-over voltage (1KV/us) V	Impulse discharge current (10/1000us 300times) A	Impulse discharge current (8/20us 10times) KA	AC discharge current (50Hz 1s 5 times) A	Holdover Voltage V	Insulation resistance Ω	Capacitance pF
SKT-2R-90K	90±25%	≤600	50	10 5	10 5	/	≥10 <sup>10</sup>	<1.5
SKT-2R-230K	230 +30 -40	≤800	100	10 5	10 5	135	≥10 <sup>10</sup>	<1
SKT-2R-350K	350±20%	≤800	100	10 5	10 5	135	≥10 <sup>10</sup>	<1

Note: Specification are subject to change without notice.

## COMMON DIMENSIONS



SKT-2R-E1L Type (Φ8x6)

## Electrical Characteristics

Type	DC spark-over voltage (100V/s) V	Impulse spark-over voltage (1KV/us) V	Impulse discharge current (10/1000us 300times) A	Impulse discharge current (8/20us 10times) KA	AC discharge current (50Hz 1s 5 times) A	Holdover Voltage V	Insulation resistance Ω	Capacitance pF
SKT-2R-90 E <sub>1</sub> L	90±25%	≤600	100	20	20	/	≥10 <sup>10</sup>	≤1.5
SKT-2R-150 E <sub>1</sub> L	150±20%	≤700	100	20	20	80	≥10 <sup>10</sup>	≤1
SKT-2R-230 E <sub>1</sub> L	230±20%	≤800	100	20	20	150	≥10 <sup>10</sup>	≤1
SKT-2R-350 E <sub>1</sub> L	350±20%	≤800	100	20	20	150	≥10 <sup>10</sup>	≤1
SKT-2R-470 E <sub>1</sub> L	470±20%	≤900	100	20	20	150	≥10 <sup>10</sup>	≤1
SKT-2R-600 E <sub>1</sub> L	600±20%	≤1200	100	20	20	150	≥10 <sup>10</sup>	≤1

Note: Specification are subject to change without notice.

**Kingtronics® International Company**