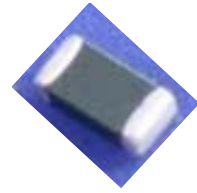


CHIP VARISTORS-SMD



Multilayer Chip Varistor-VKT

Applications

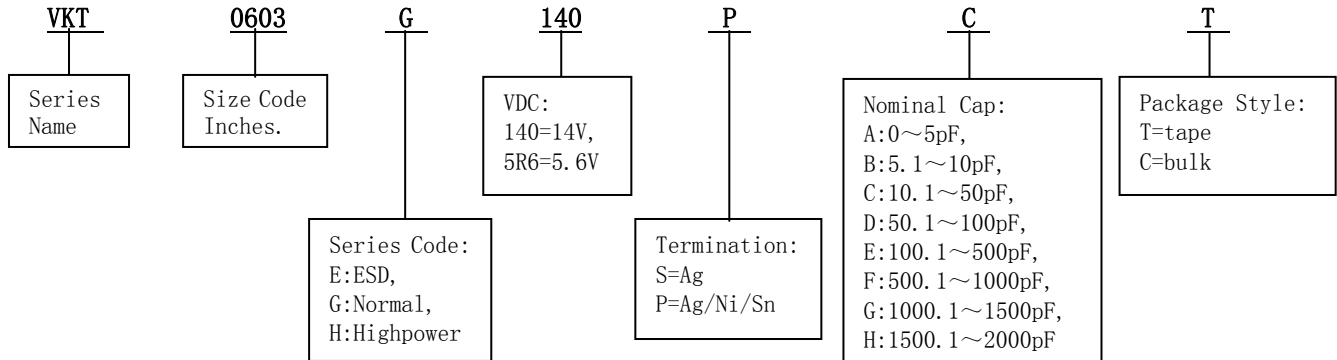
VKT is widely used in Notebook, PDA, Cellular Phone, MP3, Main board, LCM, HUB, Microphone, Wireless LAN, VOIP, Auto electronic and so on.

Feature

※ Fast responsibility	※ Low working voltage
※ Low capacitance	※ Low leakage current
※ Low clampin voltage	※ Bi-directional
※ Suit to reflow soldering ,wave soldering hand solderin.	

Product Part number Identification

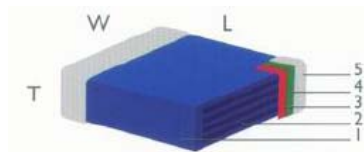
. How to Order



Structure and Dimensions (unit:inches)

. Structure

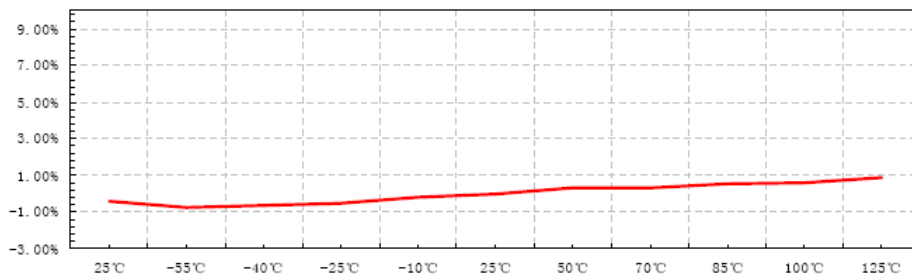
No	Name
1	Ceramic Dielectric
2	Inner Electrode
3	Silver Layer
4	Nickel Layer
5	Tin Layer



. Dimensions

Size	Length(L)	Width(W)
0402	0.04	0.02
0603	0.06	0.03
0805	0.08	0.05
1206	0.12	0.06
1210	0.12	0.10
1808	0.18	0.08
1812	0.18	0.12
2225	0.22	0.25

Static Discharge Susceptibility of Some Normal Devices



Recommend Item for System Data 1/0 Used

Device description	Data Rate & Frequency	Rise time	Capacitance
USB 2.0 Data Port	480M bps	0.5~0.6ns	< 4pF
USB 1.1 Data Port	12M bps	4~20ns	5~10pF
Wireless Device	1.5M bps	75~300ns	5~10pF
RS232, 1rDA1.0	115.0K	1 us~8us	10~100pF
Audio (Microphone/Speaker)	20~20KHz	0.05ms~5ms	10~1000pF

Note: Specification are subject to change without notice.

Kingtronics International Company

Tel: (852) 8106 7033 Fax: (852) 8106 7099

Website: www.kingtronics.com Email: info@kingtronics.com

■ VKT Product

Part No	Working Voltage	Varistor Voltage V1mA (V)		Clamping Voltage VC (V)	Peak Current IP (A)	Transient Energy ET (J)	Capacitance CP (pF)
	VDC (V)	Min.	Max.	8/20Us	8/20Us	10/1000us	1KHz/1V
VKT0402-E5R6PCT	5.6	6.4	11.0	20.0	1	0.01	33
VKT0402-E5R6PDT	5.6	6.4	11.0	20.0	1	0.01	82
VKT0402-E8R0PCT	8.0	10.0	16.0	28.0	1	0.01	33
VKT0402-E8R0PET	8.0	10.0	16.0	28.0	1	0.01	100
VKT0402-E120PBT	12.0	14.4	24.0	32.0	1	0.01	10
VKT0402-E120PCT	12.0	14.4	24.0	32.0	1	0.01	33
VKT0402-E120PDT	12.0	14.4	24.0	32.0	1	0.01	82
VKT0402-E140PCT	14.0	16.8	28.0	55.0	1	0.01	33
VKT0402-E140PET	14.0	16.8	28.0	55.0	1	0.01	100
VKT0402-E180PCT	18.0	21.6	36.0	75.0	1	0.01	33
VKT0402-E240PAT	24.0	102.0	138.0	240.0	1	0.01	2.5
VKT0402-E380PAT	38.0	50.0	80.0	160.0	1	0.01	4.5
VKT0603-E5R5PFT	5.5	6.4	11.0	20.0	1	0.01	820
VKT0603-E5R5PDT	5.5	6.4	11.0	20.0	1	0.01	75
VKT0603-G9R0PFT	9.0	10.8	15.3	25.0	30	0.1	2—180000pF “Reference Capacitor” is For references.
VKT0603-G110PET	11.0	13.2	18.7	30.0	30	0.1	
VKT0603-E140PDT	14.0	20.4	27.6	55.0	1	0.01	82
VKT0603-E140PCT	14.0	20.4	36.8	55.0	1	0.01	33
VKT0603-E180PBT	18.0	27.2	36.8	75.0	1	0.01	10
VKT0603-G180PET	18.0	21.6	27.0	54.0	30	0.1	2—180000pF “Reference Capacitor” is For references.
VKT0603-G220PET	22.0	26.4	33.0	65.0	30	0.1	
VKT0603-E240PAT	24.0	102.0	138.0	240.0	1	0.01	2.5
VKT0603-G260PET	26.0	31.2	39.0	75.0	30	0.1	2—180000pF “Reference Capacitor” is For references.
VKT0603-G300PET	30.0	36.0	45.0	85.0	30	0.1	
VKT0805-G5R6PFT	5.6	6.4	10.1	15.5	40	0.1	
VKT0805-G9R0PFT	9.0	10.8	15.3	25.0	40	0.1	
VKT0805-G110PET	11.0	13.2	18.7	30.0	40	0.1	
VKT0805-G140PET	14.0	16.8	23.8	40.0	40	0.1	
VKT0805-G180PET	18.0	21.6	27.0	54.0	40	0.1	
VKT0805-G220PET	22.0	26.4	33.0	65.0	40	0.1	
VKT0805-G260PET	26.0	31.2	39.0	75.0	40	0.1	
VKT0805-G300PET	30.0	36.0	45.0	85.0	40	0.1	
VKT1206-G9R0PFT	9.0	10.8	15.3	25.0	100	1.0	
VKT1206-G140PET	14.0	16.8	23.8	40.0	100	1.0	
VKT1206-G180PFT	18.0	21.6	27.0	54.0	100	1.0	
VKT1206-G220PET	22.0	26.4	33.0	62.0	100	1.0	
VKT1206-G240PET	24.0	28.8	36.0	67.0	100	1.0	
VKT1206-G220PET	26.0	31.2	39.0	73.0	100	1.0	
VKT1206-G300PET	30.0	36.0	45.0	85.0	100	1.0	
VKT1206-G390PET	39.0	46.8	58.5	105.0	100	1.0	
VKT1206-G560PET	56.0	67.2	84.0	150.0	100	1.0	
VKT1206-G750PET	75.0	90.0	105.0	200.0	100	1.0	
VKT1210-G140PGT	14.0	16.8	23.8	40.0	250	1.5	
VKT1210-G180PGT	18.0	21.5	27.0	51.0	250	1.5	
VKT1210-G220PGT	22.0	26.4	33.0	62.0	250	1.5	
VKT1210-G270PGT	27.0	32.4	40.5	75.0	250	1.5	
VKT1210-G300PGT	30.0	36.0	45.0	85.0	250	1.5	
VKT1210-G450PGT	45.0	54.0	67.5	125	250	1.5	
VKT2220-H220PXT	22.0	26.4	33.0	62.0	1200	7.8	
VKT2220-H270PXT	27.0	32.4	40.5	75.0	1200	7.8	
VKT2220-H300PXT	30.0	36.0	45.0	85.0	1200	7.8	

Note: Specification are subject to change without notice.

Kingtronics International Company

Tel: (852) 8106 7033 Fax: (852) 8106 7099

Website: www.kingtronics.com Email: info@kingtronics.com